

Row	Part of	Designation	References	Material	Description	Manufacturer
1	S1 A	01FU7	SC 01.2B	30313R	3P CLASS CC FUSE HOLDER	SHAWMUT
2	S1 A	01FU10	SC 01.2B	30311R	1P CLASS CC FUSE HOLDER, REJECTION	MERSEN
3	S1 A	01FU12	SC 01.3C	30311R	1P CLASS CC FUSE HOLDER	SHAWMUT
4	S1 A	01STB2		IKU6S	6 PT SHORT CIRCUIT TB	ITI
5	S1 A	01TS1	SC 01.3C	011409-00	Adjustable thermostat	STEGO
6	S1 A	03FU4	SC 03.2B	30311R	1P CLASS CC FUSE HOLDER, REJECTION	MERSEN
7	S1 A	03PWS1	SC 03.2B	6EP13321SH43	UL CLASS 2 PWR SUPPLY: 24VDC, 2.5A	SIEMENS
8	S1 A	08FU2	SC 08.1A	30311R	1P CLASS CC FUSE HOLDER, REJECTION	MERSEN
9	S1 A	08ICUB1	SC 08.3A	WLDGNCUB	WL CUBICLE BUS DIGITAL INPUT MODULE	SIEMENS
10	S1 A	08OCUB1	SC 08.3A	WLRLYCCUB	WL CUBICLE BUS CONFIGURABLE DIGITAL OUTPUT MODULE	SIEMENS
11	S1 A	08PWS1	SC 08.1A	6EP13321SH43	UL CLASS 2 PWR SUPPLY: 24VDC, 2.5A	SIEMENS
12	S1 A	52M/BAX	SC 04.2B	3RH11221AK60	2&2 AUX RLY 120VAC	SIEMENS
13	S1 A	ZSI-M1	SC 07.1A	WLSZSMD	ZONE INTERLOCKING MODULE	SIEMENS
14	S1 A 01FU7			DFC3M	SAFETY COVER	SHAWMUT
15	S1 A 01FU7			DFC3M	SAFETY COVER	SHAWMUT
16	S1 A 01FU7			DFC3M	SAFETY COVER	SHAWMUT
17	S1 A 01FU7	01FU6	SC 01.2B	ATMR3	600V 3A CLASS CC FUSE	SHAWMUT
18	S1 A 01FU7	01FU8	SC 01.2B	ATMR3	600V 3A CLASS CC FUSE	SHAWMUT
19	S1 A 01FU7	01FU9	SC 01.2B	ATMR3	600V 3A CLASS CC FUSE	SHAWMUT
20	S1 A 01FU10			DFC3M	SAFETY COVER	SHAWMUT
21	S1 A 01FU10	01FU11	SC 01.2B	ATMR3	600V 3A CLASS CC FUSE	SHAWMUT
22	S1 A 01FU12			DFC3M	SAFETY COVER	SHAWMUT
23	S1 A 01FU12	01FU14	SC 01.3C	ATMR5	600V 5A CLASS CC FUSE	SHAWMUT
24	S1 A 03FU4			DFC3M	SAFETY COVER	SHAWMUT
25	S1 A 03FU4	03FU5	SC 03.2B	ATMR6	600V 6A CLASS CC FUSE	SHAWMUT
26	S1 A 08FU2			DFC3M	SAFETY COVER	SHAWMUT
27	S1 A 08FU2	08FU1	SC 08.1A	ATMR6	600V 6A CLASS CC FUSE	SHAWMUT
28	S1 A ZSI-M1	WLCBUSCABLE4		WLCBUSCABLE4	ZSI MODULE CABLE 4 FEET	SIEMENS
29	S1 B	01CT1	SC 01.3A	11-A-1400-11	CT FSII 3PH 1200:5A	ITI
30	S1 B	COMS1B	SC 07.3B	6ES79720BB520XA0	PROFIBUS CONNECTOR, WITH SOCKET	SIEMENS
31	S1 C	01FU5	SC 01.4B	151492	2P CLASS J FUSE HOLDER	USD
32	S1 C	03FU1	SC 03.2A	151492	3P CLASS J FUSE HOLDER	USD
33	S1 C	03FU2	SC 03.2A	151492	3P CLASS J FUSE HOLDER	USD
34	S1 C	03FU3	SC 03.2B	30311R	1P CLASS CC FUSE HOLDER, REJECTION	MERSEN
35	S1 C 01FU5		SC 01.4B	AJT20	TIME DELAY CLASS J FUSE 20A	MERSEN
36	S1 C 01FU5		SC 01.4B	NLJ30	FUSE ROD FOR CLASS J	MERSEN
37	S1 C 03FU1		SC 03.2A	NLJ30	FUSE ROD FOR CLASS J	MERSEN
38	S1 C 03FU1		SC 03.2A	AJT20	TIME DELAY CLASS J FUSE 20A	MERSEN
39	S1 C 03FU2		SC 03.2A	NLJ30	FUSE ROD FOR CLASS J	MERSEN
40	S1 C 03FU2		SC 03.2A	AJT20	TIME DELAY CLASS J FUSE 20A	MERSEN
41	S1 C 03FU3			ATMR5	FAST ACTING, CURRENT LIMITING CLASS CC FUSE 5A	MERSEN
42	S1 DRA	01FT1		129A514G01	6 CUR, 4 POT POLE ABB FT-1 TEST SWITCH	ABB
43	S1 DRA	08SS1	SC 08.1A	3SB32024AD11	RONIS 2-POS KEYED SELECTOR SWITCH	SIEMENS
44	S1 DRA	DAS1B	SC 08.3A	3SB32446BA60	BLU PILOT LT 24VDC LED	SIEMENS
45	S1 DRA PM1	DP	SC 07.3A	7KM93000A8B000AA0	SETRON PAC PROFIBUS DP MODULE	SIEMENS
46	S1 DRA PM1 DP	PROF. CONN.	SC 07.3A	6ES79720BB520XA0	PROFIBUS CONNECTOR, WITH SOCKET	SIEMENS

01	12/15/2014	RELEASED FOR MANUFACTURING
00	08/15/2014	ISSUED FOR APPROVALS

**SIEMENS**  
 Siemens Industry Inc.  
 Grand Prairie, TX 75050

CUSTOMER: JH Ham Engineering, FL.  
 GROUP: 64CC51  
 CUSTOMER PROJECT: JH-Ham - Port Neal Project  
 CUSTOMER ORDER: 15228

LINE ITEM: 22000  
 PRELIMINARY: APPROVAL: CERTIFIED: X

PRODUCT TYPE: WL  
 SCALE: 1 mm. : 1 mm.  
 DRAWN: DVP  
 APPRV:

DOCUMENT NAME: BILL OF MATERIALS  
 WL SWITCHGEAR  
 SWITCHGEAR "64CC51"

DOC. NO.: LVS 15-3005067642-22000-01 BM  
 PAGE NO.: 1  
 OF PAGES: 3

1-6-15  
 64CC51  
 480V  
 Bldg 5 Swgr

Row	Part of	Designation	Reference	Material	Description	Manufacturer
47	S1 DRB	04FU1	SC 04.1A	571008	DOOR MOUNT CLASS CC FUSE HOLDER	LITLLEFUSE
48	S1 DRB	04FU3	SC 04.1A	571008	DOOR MOUNT CLASS CC FUSE HOLDER	LITLLEFUSE
49	S1 DRB	04LT1	SC 04.1B	3SB32046BA40-3SB39011DF	GREEN PILOT LT LENS,SKT,LED 120VAC	SIEMENS
50	S1 DRB	04LT2	SC 04.2B	3SB32046BA20-3SB39011CF	RED PILOT LT LENS,SKT,LED 120VAC	SIEMENS
51	S1 DRB	04LT3	SC 04.2B	3SB32046BA30-3SB39011BF	YEL PILOT LT 120VAC LED	SIEMENS
52	S1 DRB	04SS1	SC 04.3A	20KD38	BREAKER CONTROL SWITCH	ELECTROSWTICH
53	S1 DRB 04FU1	04FU2	SC 04.1A	ATMR10	600V 10A CLASS CC FUSE	SHAWMUT
54	S1 DRB 04FU3	04FU4	SC 04.1A	ATMR5	600V 5A CLASS CC FUSE	SHAWMUT
55	S1 RR	01FU1	SC 01.2A	151493	3P CLASS J FUSE HOLDER	USD
56	S1 RR	01HTR4	SC 01.3D	US2:SGA1J10J02	STRIP HEATER, 240VAC, 250W	WATLOW
57	S1 RR	01SPD1	SC 01.1A	US2:1FSS3E063000	SPD, INTERNAL, 300kA, 480V/277V 3PH 4W,	SIEMENS
58	S1 RR	01VT1	SC 01.1A	468-480	VT 480:120V 150VA	ITI
59	S1 RR	01VT2	SC 01.2A	468-480	VT 480:120V 150VA	ITI
60	S1 RR	01VT3	SC 01.2A	468-480	VT 480:120V 150VA	ITI
61	S1 RR 01FU1	01FU2	SC 01.2A	AJT3	600V 3A CLASS J FUSE	SHAWMUT
62	S1 RR 01FU1	01FU3	SC 01.2A	AJT3	600V 3A CLASS J FUSE	SHAWMUT
63	S1 RR 01FU1	01FU4	SC 01.2A	AJT3	600V 3A CLASS J FUSE	SHAWMUT
64	S2 A	01FU13	SC 01.4C	30311R	1P CLASS CC FUSE HOLDER	SHAWMUT
66	S2 A	01TS2	SC 01.4C	011409-00	Adjustable thermostat	STEGO
66	S2 A	08ICUB2	SC 08.3B	WLDGNCUB	WL CUBICLE BUS DIGITAL INPUT MODULE	SIEMENS
67	S2 A	08ICUB3	SC 08.3C	WLDGNCUB	WL CUBICLE BUS DIGITAL INPUT MODULE	SIEMENS
68	S2 A	08OCUB2	SC 08.3B	WLRLYCCUB	WL CUBICLE BUS CONFIGURABLE DIGITAL OUTPUT MODULE	SIEMENS
69	S2 A	08OCUB3	SC 08.3C	WLRLYCCUB	WL CUBICLE BUS CONFIGURABLE DIGITAL OUTPUT MODULE	SIEMENS
70	S2 A	622B/BAX	SC 05.2B	3RH11221AK60	2&2 AUX RLY 120VAC	SIEMENS
71	S2 A	622C/BAX	SC 06.3B	3RH11221AK60	2&2 AUX RLY 120VAC	SIEMENS
72	S2 A	ZSI-2B	SC 07.1B	WLZSIMD	ZONE INTERLOCKING MODULE	SIEMENS
73	S2 A	ZSI-2C	SC 07.1B	WLZSIMD	ZONE INTERLOCKING MODULE	SIEMENS
74	S2 A 01FU13			DFC3M	SAFETY COVER	SHAWMUT
76	S2 A 01FU13	01FU15	SC 01.4C	ATMR5	600V 5A CLASS CC FUSE	SHAWMUT
76	S2 A ZSI-2B	WLCBUSCABLE4		WLCBUSCABLE4	ZSI MODULE CABLE 4 FEET	SIEMENS
77	S2 A ZSI-2C	WLCBUSCABLE4		WLCBUSCABLE4	ZSI MODULE CABLE 4 FEET	SIEMENS
78	S2 B	COMS2B	SC 07.3B	6E579720BB520XA0	PROFIBUS CONNECTOR, WITH SOCKET	SIEMENS
79	S2 C	COMS2C	SC 07.3C	6E579720BB520XA0	PROFIBUS CONNECTOR, WITH SOCKET	SIEMENS
80	S2 DRA	DAS2B	SC 08.3B	3SB32446BA50	BLU PILOT LT 24VDC LED	SIEMENS
81	S2 DRA	DAS2C	SC 08.3C	3SB32446BA50	BLU PILOT LT 24VDC LED	SIEMENS
82	S2 DRB	05FU1	SC 05.1A	571008	DOOR MOUNT CLASS CC FUSE HOLDER	LITLLEFUSE
83	S2 DRB	05FU3	SC 05.1A	571008	DOOR MOUNT CLASS CC FUSE HOLDER	LITLLEFUSE
84	S2 DRB	05LT1	SC 05.1B	3SB32046BA40-3SB39011DF	GREEN PILOT LT LENS,SKT,LED 120VAC	SIEMENS
85	S2 DRB	05LT2	SC 05.2B	3SB32046BA20-3SB39011CF	RED PILOT LT LENS,SKT,LED 120VAC	SIEMENS
86	S2 DRB	05LT3	SC 05.2B	3SB32046BA30-3SB39011BF	YEL PILOT LT 120VAC LED	SIEMENS
87	S2 DRB	05SS1	SC 05.3A	20KD38	BREAKER CONTROL SWITCH	ELECTROSWTICH
88	S2 DRB 05FU1	05FU2	SC 05.1A	ATMR10	600V 10A CLASS CC FUSE	SHAWMUT
89	S2 DRB 05FU3	05FU4	SC 05.1A	ATMR5	600V 5A CLASS CC FUSE	SHAWMUT
90	S2 DRC	06CS1	SC 06.4C	20KD38	CONTROL BKR SWITCH	ELECTROSWTICH
91	S2 DRC	06FU1	SC 06.1A	571008	DOOR MOUNT CLASS CC FUSE HOLDER	LITLLEFUSE
92	S2 DRC	06FU3	SC 06.1A	571008	DOOR MOUNT CLASS CC FUSE HOLDER	LITLLEFUSE

00	08/15/2014	ISSUED FOR APPROVALS	DVP
01	12/15/2014	RELEASED FOR MANUFACTURING	DVP

SIEMENS S.O.#:3005067642		PRELIMINARY:	
LINE ITEM: 22000		APPROVAL:	
CUSTOMER: JH Ham Engineering, FL.		CERTIFIED: X	
GROUP: 64CC51		PRODUCT TYPE: WL	
CUSTOMER PROJECT: JH-Ham - Port Neal Project		SCALE: 1 mm. : 1 mm.	
CUSTOMER ORDER: 15228		DRAWN: DVP	
		APPRV:	
		DOCUMENT NAME:	
		BILL OF MATERIALS	
		WL SWITCHGEAR	
		SWITCHGEAR "64CC51"	





**NOTE: GENERAL NOTE FOR WL ARC RESISTANT GEAR**

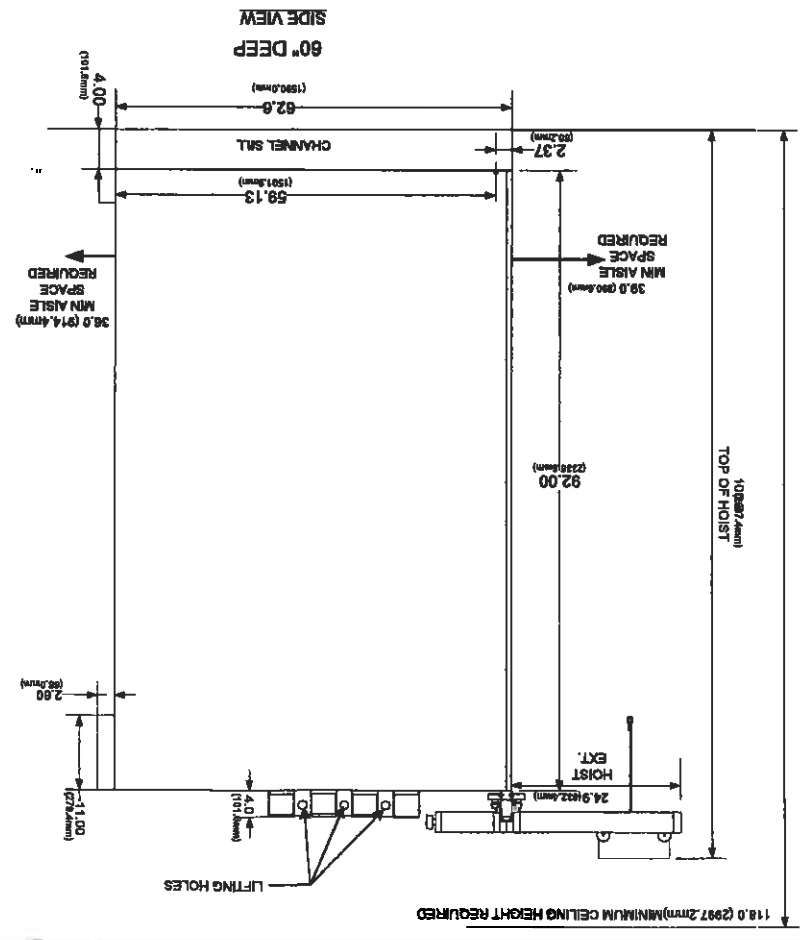
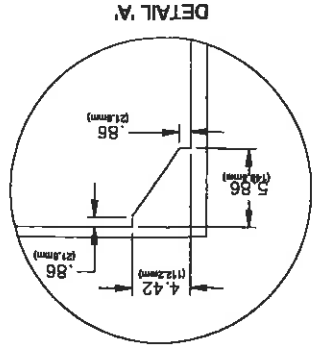
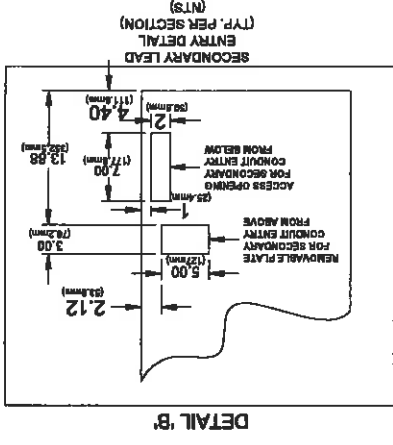
(1) Space available for cables below is reduced by 5.20 inches when a lower neutral bus is present.

(2) Space available for cables below is reduced by 4.00 if an 800-3200A breaker is located in the bottom compartment. Reductions per notes 1 & 2 are additive.

Example: cables below + lower neutral + 2000A breaker in bottom compartment = B - 9.20.

(3) 118 inches minimum room ceiling height is required for ventilation of arc products

(4) 4.10 (104mm) if W=22; 4.60 (117mm) if W=32.



**WARNING: TO ENSURE AGAINST ELECTRIC SHOCK OR ACCIDENT DANGER, DISCONNECT ALL SOURCES OF SUPPLY BEFORE SERVICING**

SIEMENS S.O. #: 300087642	PRELIMINARY APPROVAL CERTIFIED: X	PRODUCT TYPE: WL	SIEMENS Siemens Industry Inc. Grand Prairie, TX 75050
LINE ITEM: 22000	SCALE: 1 in. = 18 in.	DOCUMENT NAME: NAMEPLATE SCHEDULE WL SWITCHGEAR SWITCHGEAR '84CC31'	
CUSTOMER: JH-Ham Engineering, FL.	DRAWN: DVP		
GROUP: 84CC31	APPRV:		
CUSTOMER PROJECT: JH-Ham - Port Neal Project			
CUSTOMER ORDER: 18228			

DOC. NO.: LVS 15-300087642 - 22000 - GA 02

01	12/15/2014	DVP	RELEASED FOR MANUFACTURING
02	08/15/2014	DVP	ISSUED FOR APPROVALS

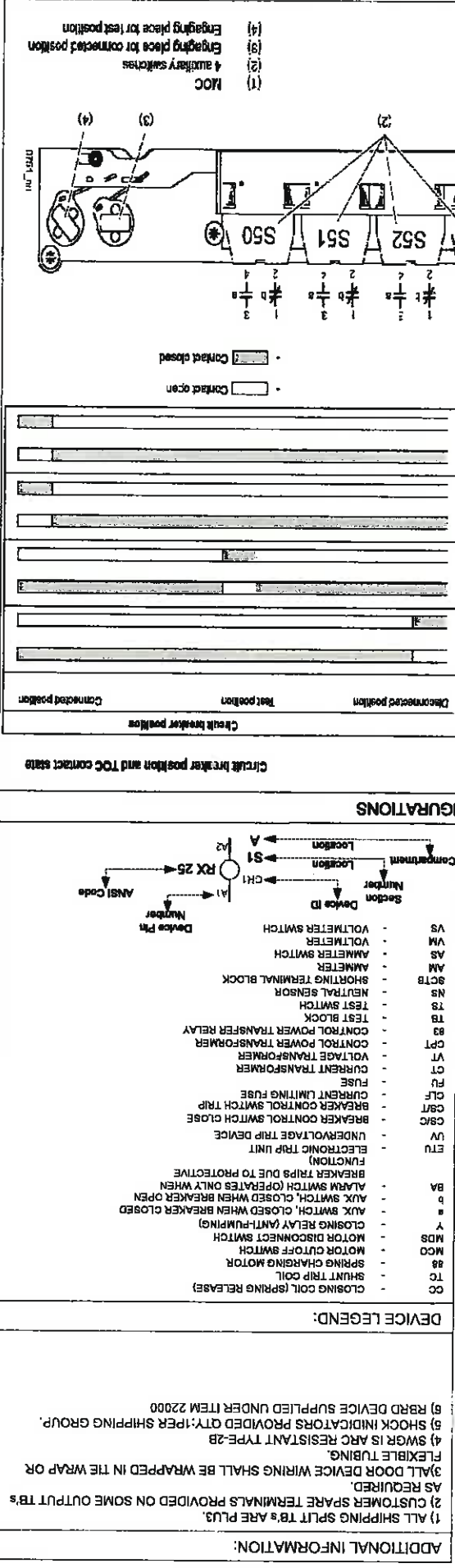
D C B A

4 3 2 1



<b>GENERAL INFORMATION:</b>	
CONSTRUCTION:	<input type="checkbox"/> INDOOR <input type="checkbox"/> OUTD. WALKIN <input type="checkbox"/> OUTD. NON-WALKIN <input type="checkbox"/> DRIP PROOF
VOLTAGE:	<input type="checkbox"/> 480 V <input type="checkbox"/> 600 V <input type="checkbox"/> 208 V <input type="checkbox"/> OTHER
FREQUENCY:	<input type="checkbox"/> 60 HZ <input type="checkbox"/> 50 HZ
SYSTEM:	<input type="checkbox"/> 3 WIRE <input type="checkbox"/> 4 WIRE <input type="checkbox"/> 65 KA <input type="checkbox"/> 100 KA <input type="checkbox"/> 150 KA <input type="checkbox"/> 200 KA <input type="checkbox"/> 250 KA <input type="checkbox"/> 300 KA <input type="checkbox"/> 400 A <input type="checkbox"/> 500 A <input type="checkbox"/> 600 A <input type="checkbox"/> 800 A <input type="checkbox"/> 1000 A <input type="checkbox"/> 1200 A
GROUND BUS:	<input type="checkbox"/> 0.25 X 3.00 IN <input type="checkbox"/> BOTTOM <input type="checkbox"/> TOP
BUS PLATING:	<input type="checkbox"/> SILVER <input type="checkbox"/> TIN (ALL BUS IS COPPER)
INSULATED BUS:	<input type="checkbox"/> YES <input type="checkbox"/> NO (NOTE: COVERS PHASE BUS ONLY)
LUGS:	<input type="checkbox"/> COMPRESSION <input type="checkbox"/> MECHANICAL
PAINT COLOR:	<input type="checkbox"/> ANSI 61 <input type="checkbox"/> ANSI 70 <input type="checkbox"/> OTHER
<b>ELECTRICAL REQUIREMENTS:</b>	
SPACE HEATERS:	<input type="checkbox"/> HALF VOLTAGE (240 V RATED, OPERATED AT 120 V) <input type="checkbox"/> FULL VOLTAGE (120 V RATED, OPERATED AT 120 V) <input type="checkbox"/> FULL VOLTAGE (240 V RATED, OPERATED AT 240 V)
CONTROL:	<input type="checkbox"/> FIXED THERMOSTAT <input type="checkbox"/> ADJ THERMOSTAT <input type="checkbox"/> HUMIDISTAT <input type="checkbox"/> WIRE NUMBER <input type="checkbox"/> OPPOSITE END <input type="checkbox"/> SLIDING LINK
TERMINAL:	<input type="checkbox"/> 1 PT, 600 V <input type="checkbox"/> 12 PT, 600 V
BLOCKS:	<input type="checkbox"/> PROVIDE 10 PERCENT SPARE TERMINALS FOR CUSTOMER
WIRE:	<input type="checkbox"/> RING TONGUE <input type="checkbox"/> RING TONGUE
TERMINATIONS:	<input type="checkbox"/> RING TONGUE ON CT CIRCUITS AND LOCKING FORKS AT DEVICE TERMINATIONS
WIRE SIZE:	<input type="checkbox"/> PROVIDE #14 AVG SIS WIRE FOR ALL CIRCUITS EXCEPT AS NOTED <input type="checkbox"/> PROVIDE #10 AVG SIS WIRE FOR ALL CURRENT CIRCUITS <input type="checkbox"/> PROVIDE #10 AVG SIS WIRE FOR CONTROL POWER DISTRIBUTION
<b>MECHANICAL REQUIREMENTS:</b>	
BARRIERS:	<input type="checkbox"/> SECTION BARRIER - BUS COMPARTMENT <input type="checkbox"/> SECTION BARRIER - CABLE COMPARTMENT <input type="checkbox"/> CABLE COMPARTMENT BARRIERS <input type="checkbox"/> AUTOMATIC SHUTTERS PROVIDED ON ALL BREAKER COMPARTMENTS
SHUTTERS:	<input type="checkbox"/> AUTOMATIC SHUTTERS ONLY ON FUTURE COMPARTMENTS
SECTION DEPTH:	<input type="checkbox"/> 60" DEEP <input type="checkbox"/> 70" DEEP <input type="checkbox"/> 75" DEEP <input type="checkbox"/> 80" DEEP <input type="checkbox"/> 66" FUSED ONLY <input type="checkbox"/> 75" FUSED ONLY <input type="checkbox"/> 80" FUSED ONLY
SEE NOTES:	<input type="checkbox"/> 4" CHANNEL SILLS <input type="checkbox"/> SHIP SEPARATE <input type="checkbox"/> SHIP ATTACHED
TILT PACKAGING:	<input type="checkbox"/> TILT PACKAGING REQUIRED (BREAKERS CRATED SEPARATELY) <input type="checkbox"/> UL LISTED <input type="checkbox"/> UL RECOGNIZED (OEM) <input type="checkbox"/> CUL <input type="checkbox"/> SUITABLE FOR USE AS SERVICE EQUIPMENT <input type="checkbox"/> SUITABLE FOR CONTINUOUS INDUSTRIAL PROCESS <input type="checkbox"/> SERV EQPT, IND. PROCESS, WHICH RESISTANCE GND
BREAKER DOOR TYPE:	<input type="checkbox"/> STANDARD (NO DEVICES) <input type="checkbox"/> DOOR INTERLOCK <input type="checkbox"/> STANDARD WITH DEVICES
REAR COVERS:	<input type="checkbox"/> BOLTED 2-PIECE COVERS (INDOOR ONLY) <input type="checkbox"/> HINGED DOORS, SECURED WITH HEX BOLTS. <input type="checkbox"/> HINGED DOORS, SECURED WITH THUMB SCREWS. <input type="checkbox"/> HINGED DOORS, SECURED WITH 3-POINT LATCH <input type="checkbox"/> PADLOCKABLE <input type="checkbox"/> KEYPAD
FRONT COVERS:	<input type="checkbox"/> STANDARD <input type="checkbox"/> PADLOCKABLE <input type="checkbox"/> KEYPAD <input type="checkbox"/> NONE <input type="checkbox"/> ZONE 4
SHIPPING PALLET:	<input type="checkbox"/> STANDARD <input type="checkbox"/> OEM
PHASE LABELS:	<input type="checkbox"/> A-B-C <input type="checkbox"/> 1-2-3 <input type="checkbox"/> OTHER
MISCELLANEOUS:	<input type="checkbox"/> CABLE COMPARTMENT FLOOR PLATES (STANDARD ON OUTDOOR) <input type="checkbox"/> REAR LEXAN BARRIERS ON INSTRUMENT PANELS <input type="checkbox"/> FUNGUS PROOFING <input type="checkbox"/> NEW YORK CITY CODE <input type="checkbox"/> CHICAGO CODE <input type="checkbox"/> CALIFORNIA CODE
<b>BUS DUCT: N/A</b>	
MANUFACTURER: N/A	TYPE: N/A
RATING:	PHASE-NA NEUTRAL-NA
GROUNDING:	<input type="checkbox"/> BUS DUCT HAS INTERNAL GND BAR <input type="checkbox"/> BD HOUSING USED FOR GND
HEATERS:	<input type="checkbox"/> N/A <input type="checkbox"/> 120VAC FROM: <input type="checkbox"/> SWGR CPT <input type="checkbox"/> CUSTOMER SOURCE
<b>NAMEPLATE/MIMIC BUS:</b>	
NAMEPLATES:	<input type="checkbox"/> WHITE W/BLACK LETTERS <input type="checkbox"/> BLACK W/WHITE LETTERS <input type="checkbox"/> EXTERNAL NP SIZE: 1.0" X 3.0" <input type="checkbox"/> MIN. CHAR. HEIGHT: 0.12" <input type="checkbox"/> BREAKER NPs ALSO ON REAR <input type="checkbox"/> SPECIAL NP (SEE ADDITIONAL INFO) <input type="checkbox"/> ALL PANEL NPs MOUNTED BOTH INSIDE AND OUTSIDE OF PANEL <input type="checkbox"/> INTERNAL NP ATTACHMENT: <input type="checkbox"/> ADHESIVE <input type="checkbox"/> BLK SCREWS <input type="checkbox"/> S.S. SCREWS <input type="checkbox"/> INTERNAL NP ATTACHMENT: <input type="checkbox"/> ADHESIVE <input type="checkbox"/> BLK SCREWS <input type="checkbox"/> S.S. SCREWS <input type="checkbox"/> EXTERNAL NP ATTACHMENT: <input type="checkbox"/> ADHESIVE <input type="checkbox"/> BLK SCREWS <input type="checkbox"/> S.S. SCREWS <input type="checkbox"/> MIMIC BUS IS PROVIDED (SEE PANEL DRGT DWG.) <input type="checkbox"/> LAMACOID ADHESIVE <input type="checkbox"/> BLK SCREWS
WIDTH:	<input type="checkbox"/> 1/2" <input type="checkbox"/> 3/8" <input type="checkbox"/> 1/2" <input type="checkbox"/> OTHERS: <input type="checkbox"/> COLOR: BLACK <input type="checkbox"/> BLUE <input type="checkbox"/> RED <input type="checkbox"/> OTHERS:

<b>NOTES:</b>	THE EQUIPMENT SHORT TIME/SHORT CIRCUIT RATING IS EQUAL TO THE LOWER OF THE BUS RATING OR THE LOWEST RATED DEVICE INSTALLED IN THE POWER CIRCUIT.
<b>RATINGS:</b>	EXCEPTION: THE EQUIPMENT SHORT CIRCUIT RATING IS EQUAL TO 200 KA WHEN ALL CIRCUIT BREAKERS ARE FUSED AT NORMAL FREQUENCY.
<b>INSULATION:</b>	ALL DEVICE CONTACTS ARE SHOWN WITH THE DEVICE DE-ENERGIZED, OPEN, OR IN THE RESET CONDITION.
<b>SCHEMATIC/WIRING DIAGRAM:</b>	REFER TO GA SHEET FOR ACTUAL DIMENSION.
<b>EQUIPMENT DEPTH:</b>	ALL CUSTOMER CONNECTIONS ARE SHOWN WITH DASHED LINES.
<b>FEATURES:</b>	<b>(FEEDERS)</b> <input type="checkbox"/> TRIP UNIT COVER <input type="checkbox"/> ZSI
<b>FEATURES:</b>	<b>(MAIN/FE)</b> <input type="checkbox"/> TRIP UNIT COVER <input type="checkbox"/> ZSI <input type="checkbox"/> ANALOG OUTPUT MOD.
<b>ACCESSORIES:</b>	<input type="checkbox"/> WLTs (PORTABLE ETU TEST UNIT) <input type="checkbox"/> TEST PLUGS FOR GE PK-2 TEST BLOCKS (1 EACH 4-POINT AND 6-POINT) <input type="checkbox"/> WESTINGHOUSE/ABB RELAY TEST PLUGS <input type="checkbox"/> BREAKER TRANSFER TRUCK <input type="checkbox"/> PORTABLE GROUND DETECTOR: 50107608 <input type="checkbox"/> BREAKER HOIST LIFTING CAPACITY 350LB <input type="checkbox"/> REMOTE RACKING DEVICE <input type="checkbox"/> TEST CABINET - PART NUMBER: 12-B-9433-01 <input type="checkbox"/> DRIP PROOF HOOD (REMOVED FOR SHIPMENT, ATTACHED IN THE FIELD)
NOTE: REQUEST TOUCHUP PAINT FROM THE NEAREST SIEMENS SALES OFFICE. TOUCHUP PAINT IS PROVIDED IN AEROSOL CANS WHICH CANNOT BE SHIPPED IN THE ACCESSORY CRATE DUE TO TRUCKING SAFETY REGULATIONS.	



<b>ADDITIONAL INFORMATION:</b>	(1) ALL SHIPPING SPLIT TB'S ARE PLUS. (2) CUSTOMER SPARE TERMINALS PROVIDED ON SOME OUTPUT TB'S AS REQUIRED. (3) ALL DOOR DEVICE WIRING SHALL BE WRAPPED IN THE WRAP OR FLEXIBLE TUBING. (4) SWGR IS ARC RESISTANT TYPE-2B. (5) SHOCK INDICATORS PROVIDED QTY: 1 PER SHIPPING GROUP. (6) RRD DEVICE SUPPLIED UNDER ITEM 22000.
<b>GENERAL INFORMATION</b>	WL SWITCHGEAR SWITCHGEAR '94C051'
<b>DOCUMENT NAME:</b>	GENERAL INFORMATION WL SWITCHGEAR SWITCHGEAR '94C051'
<b>SCALE:</b>	1 mm : 1 mm
<b>DRAWN:</b>	DVP
<b>APPROV:</b>	
<b>PRODUCT TYPE:</b>	WL
<b>PRELIMINARY APPROVAL:</b>	X
<b>SIEMENS S.O. #:</b>	300057642
<b>LINE ITEM:</b>	22000
<b>CUSTOMER:</b>	JH-Hem - Port Neal Project
<b>PROJECT:</b>	JH-Hem - Port Neal Project
<b>CUSTOMER ORDER:</b>	18228
<b>DOC. NO.:</b>	LVS 15-300057642-22000-GI 01

A

B

## NAME PLATE SCHEDULE

ITEM	SECTION	NP SIZE	TEXT HEIGHT	Text Line 1	Text Line 2	Text Line 3
100	1DRA	3X6"	0.5"	SWITCHGEAR "64CC51"	3PH, 3W, 1600A, 480V, 85KAIC	PO #: 15228
101	1DRA	1.5" X 3"	0.25"	AUXILIARY	COMPARTMENT	
102	1DRB	1.5" X 3"	0.25"	64CC51	MAIN BREAKER-A	1600AF 1200AT
103	1DRC	1.5" X 3"	0.25"	TVSS	COMPARTMENT	
104	1DRD	1.5" X 3"	0.25"	AUXILIARY	COMPARTMENT	
105	1DRA	1.5" X 3"	0.25"	POWER METER	PAC 4200	PM1
201	2DRA	1.5" X 3"	0.25"	AUXILIARY	COMPARTMENT	
202	2DRC	1.5" X 3"	0.25"	64MCC51	TIE BREAKER	800AF 600AT
203	2DRD	1.5" X 3"	0.25"	64CD51	MCC 64MCC14A	800AF 300AT
301	3DRA	1.5" X 3"	0.25"	AUXILIARY	COMPARTMENT	
A		3.29"X0.75"	0.25"	TRIP FUSE	10A	
B		3.29"X0.75"	0.25"	CLOSE FUSE	5A	
D		1.63" X 0.75"	0.25"	OPEN		
E		1.63" X 0.75"	0.25"	CLOSED		
F		1.63" X 0.75"	0.25"	TRIP		
X		1.63" X 0.75"	0.25"	DAS	MAINTENANCE	SWITCH
Y		1.63" X 0.75"	0.25"	DAS	64CC51	
		1.63" X 0.75"	0.25"	DAS	64MCC51	
		1.63" X 0.75"	0.25"	DAS	64CD51	
Z		1.63" X 0.75"	0.25"	CURRENT TRANSFORMER	TEST SWITCH	

1

1

2

2

01 12/15/2014 RELEASED FOR MANUFACTURING		00 08/15/2014 ISSUED FOR APPROVALS	
SIEMENS S.O.#:3005067642		PRELIMINARY: APPROVAL: CERTIFIED: X	
LINE ITEM: 22000		PRODUCT TYPE WL	
CUSTOMER: JH Ham Engineering, FL. GROUP: 64CC51		SCALE 1 mm. : 1 mm.	
CUSTOMER PROJECT: JH-Ham - Port Neal Project		DRAWN: DVP	
CUSTOMER ORDER: 15228		APPRV:	
		DOCUMENT NAME: NAMEPLATE SCHEDULE WL SWITCHGEAR SWITCHGEAR "64CC51"	
		DOC. NO.: LVS 15-3005067642-22000-01 NP	
		PAGE NO: 1 OF PAGES: 1	

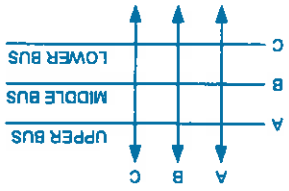
REV 10: JB 08/08/11

A

B

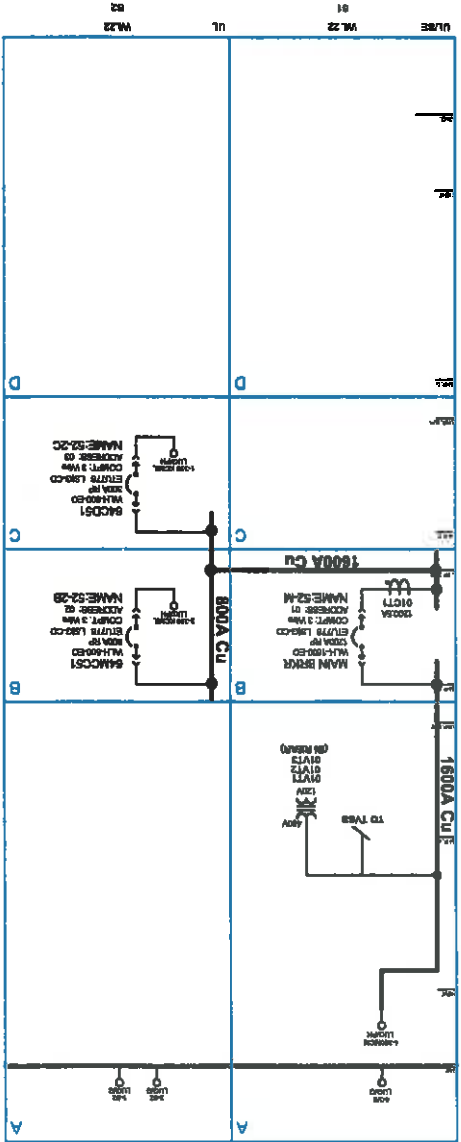
LEGEND:  
 SEC: SECTION #+COMPT  
 INTPT CLASS: INTERRUPTING CLASS  
 L: LONG TIME  
 S: SHORT TIME  
 INSTANTANEOUS  
 I: GROUND FAULT  
 G: GROUND FAULT TYPE  
 COMM: COMMUNICATION TYPE  
 MTRG+: METERING PLUS FUNCTION  
 AUX SWITCH: AUXILIARY CONTACTS  
 BA: BELL ALARM  
 RTG: READY TO CLOSE  
 MOC: MECHANISM OPERATION CONTACTS  
 TOC: TRUCK OPERATION CONTACTS

THE PHASE SEQUENCE INDICATED ON ELECTRICAL CONNECTION DIAGRAMS IS SUCH THAT THE PHASE - TO-NEUTRAL VOLTAGES WITH RESPECT TO THE TIME WILL REACH MAXIMUM VALUE IN THE SEQUENCE DESIGNATED A,B,C.  
 FOR DETAILS VT, OPT, CT, ETC. SEE SCHEMATIC DIAGRAM



THE EQUIPMENT SHORT TIME / SHORT CIRCUIT RATING IS EQUAL TO THE LOWER OF THE BUS BRACING OR THE LOWEST RATED DEVICE INSTALLED IN THE POWER CIRCUIT.  
 AT NORMAL FREQUENCY.  
 RATED INSULATION LEVEL IS 2.2kV FOR ONE MINUTE

SEC	BREAKER CAT#	CRDLECAT#	FRAME SIZE	FRAME AMP	FRAME RATING	INTPT CLASS	TRIP UNIT	L	S	I	G	G	COMM	MTRG+	LCD DISPLAY	MOTOR OPERATOR	ALK SWITCH	BA	ST	RCC	SHUTTERS	CRDLE HEATER	MOC	TOC
1B	HA316C/GDC/C/N	G-B16R3MFM-H	2	1,600	1,200	H	ELU76	Yes	Yes	Yes	Yes	Yes	Yes	Yes	Yes	Yes	Yes	Yes	Yes	Yes	Yes	Yes	Yes	Yes
2B	HA308K/GDC/C/N	G-B08R3MFM-H	2	800	600	H	ELU76	Yes	Yes	Yes	Yes	Yes	Yes	Yes	Yes	Yes	Yes	Yes	Yes	Yes	Yes	Yes	Yes	Yes
2C	HA308D/GDC/C/N	G-B08R3MFM-H	2	800	300	H	ELU76	Yes	Yes	Yes	Yes	Yes	Yes	Yes	Yes	Yes	Yes	Yes	Yes	Yes	Yes	Yes	Yes	Yes



**WARNING: TO ENSURE AGAINST ELECTRIC SHOCK OR ACCIDENT DANGER, DISCONNECT ALL SOURCES OF SUPPLY BEFORE SERVICING**

SIEMENS  
 Siemens Industry Inc.  
 Grand Prairie, TX 75050

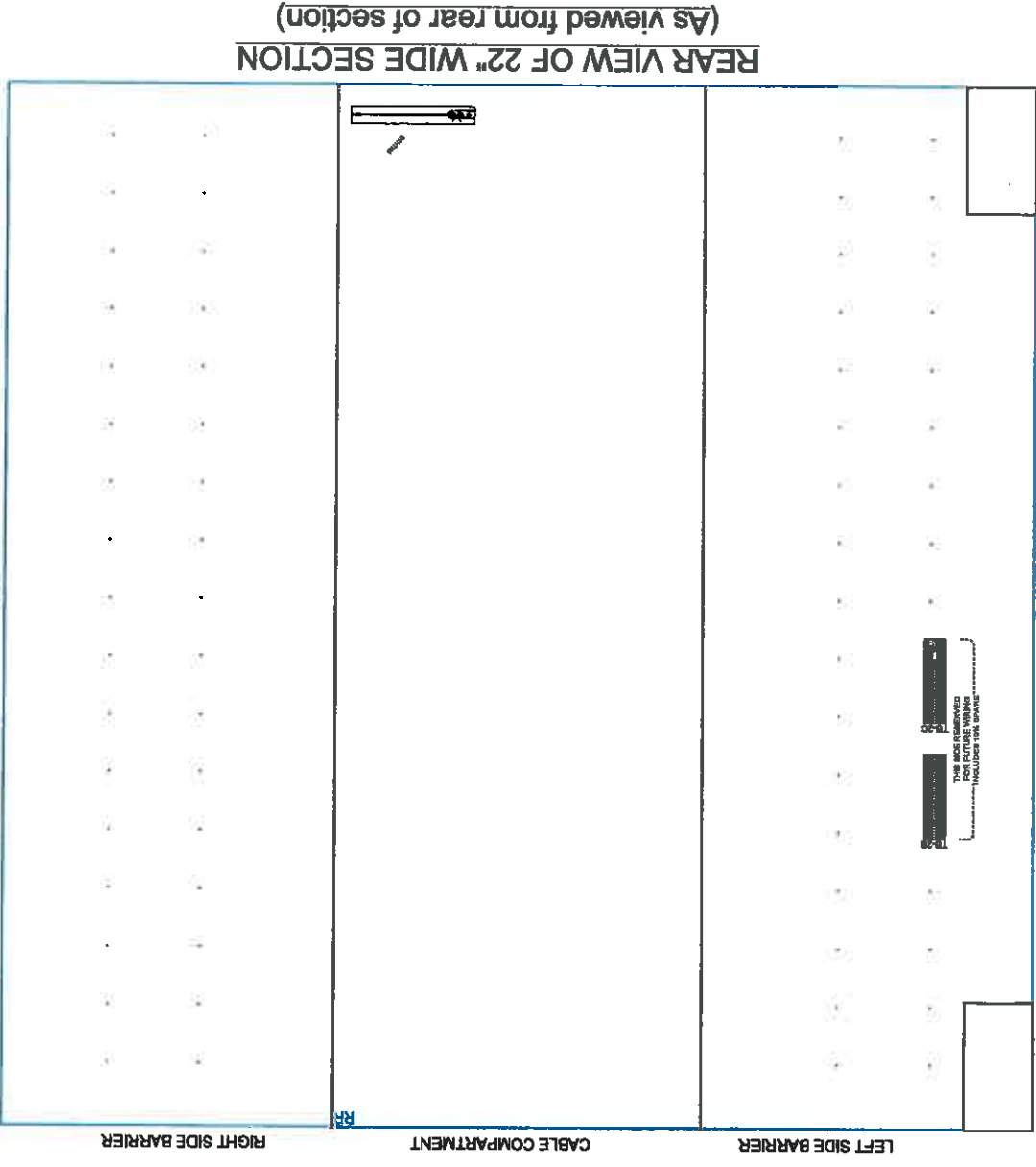
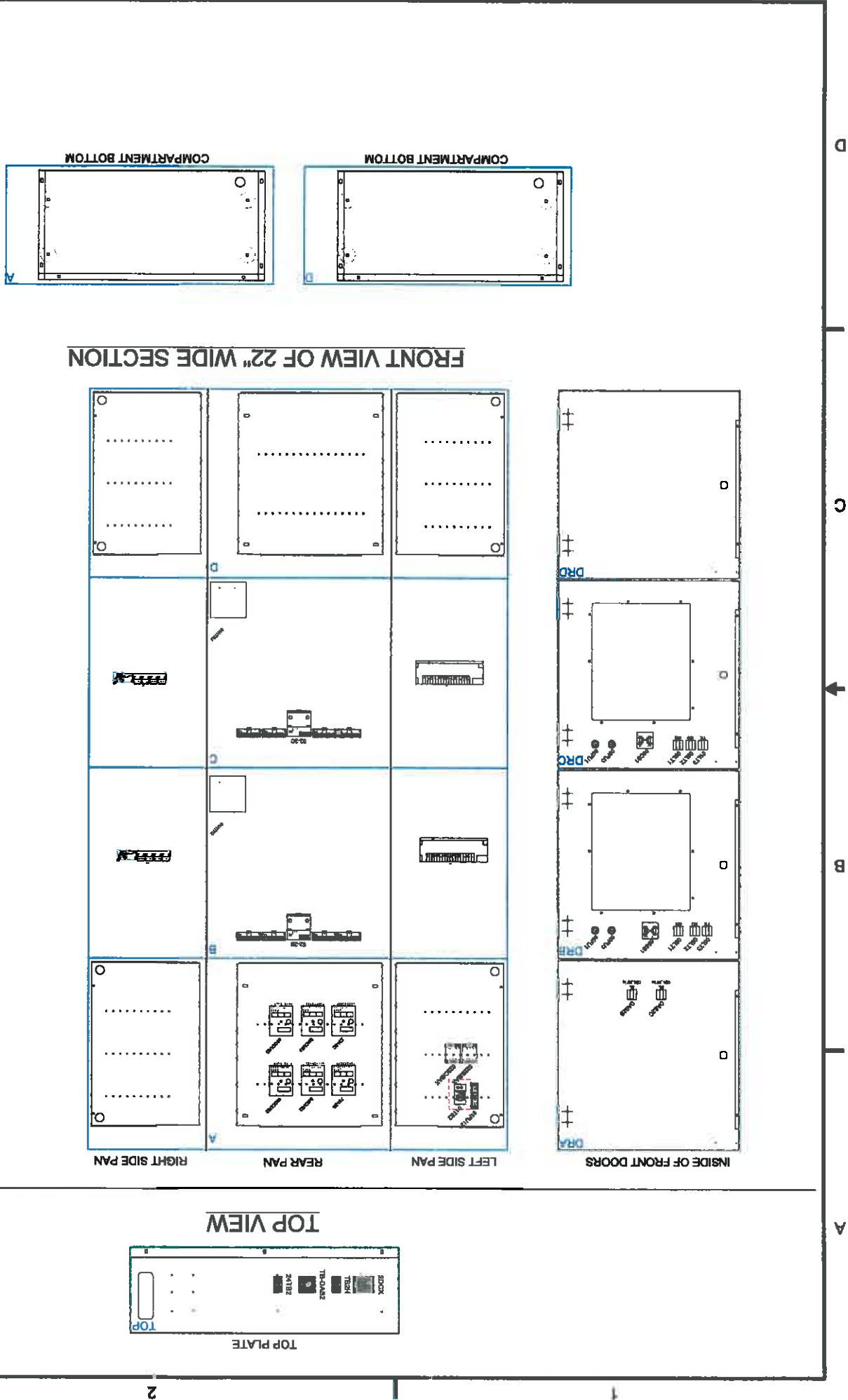
DOCUMENT NAME: SINGLE LINE WL SWITCHGEAR "400S1"  
 DRAWN: DVP  
 SCALE: 1 mm : 1 mm  
 PRODUCT TYPE: WL  
 PRELIMINARY APPROVAL: X  
 LINE ITEM: 22000  
 SIEMENS S.O. #: 300507942  
 CUSTOMER: JH-Hem Engineering, FL  
 GROUP: 6400C41  
 CUSTOMER PROJECT: JH-Hem - Port Neal Project  
 CUSTOMER ORDER: 19228  
 DDC NO.: LVS 15-300507942-22000-CL 01

ISSUED FOR APPROVALS  
 01 12/19/2014 DVP  
 RELEASED FOR MANUFACTURING

A B C D







**WARNING: TO ENSURE AGAINST ELECTRIC SHOCK OR ACCIDENT DANGER, DISCONNECT ALL SOURCES OF SUPPLY BEFORE SERVICING**

**8016 H01A17**

SIEMENS S.O. #: 3005087642  
 LINE ITEM: 22100  
 PRELIMINARY APPROVAL: X  
 CERTIFIED: X

PRODUCT TYPE: WL  
 SCALE: 1 in. : 10 in.  
 DRAWN: DVP  
 APPRV: [Signature]

DOCUMENT NAME: PHYSICAL ARRANGEMENT SECTION # 2 SWITCHGEAR "4AC051"

SIEMENS  
 Siemens Industry Inc.  
 Grand Prairie, TX 75060

DOC. NO.: LVS 15-3005087642 - PA 02

RELEASED FOR MANUFACTURING  
 DVP 01 12/15/2014

ISSUED FOR APPROVALS  
 DVP 00 04/15/2014

CUSTOMER: JH Ham Engineering, FL  
 GROUP: 6AC051  
 CUSTOMER PROJECT: JH-Ham - Port Neal Project  
 CUSTOMER ORDER: 18228

D	C	B	A
4	3	2	1

**WARNING: TO ENSURE AGAINST ELECTRIC SHOCK OR ACCIDENT DANGER, DISCONNECT ALL SOURCES OF SUPPLY BEFORE SERVICING**

SIEMENS  
Siemens Industry Inc.  
Grand Prairie, TX 75050

DOCUMENT NAME:  
THREE-LINE DIAGRAM  
SECTION #1  
SWITCHGEAR 840CS1\*

SCALE  
1 mm.: 1 mm.  
DRAWN: DVP  
APPRV:

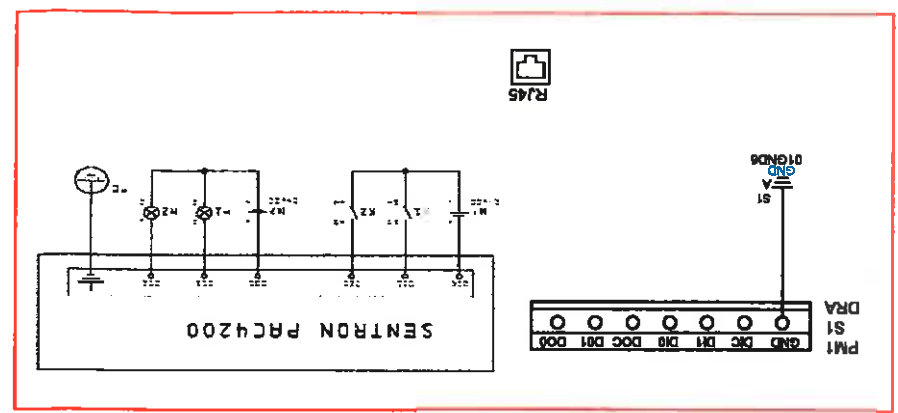
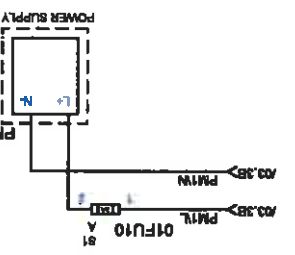
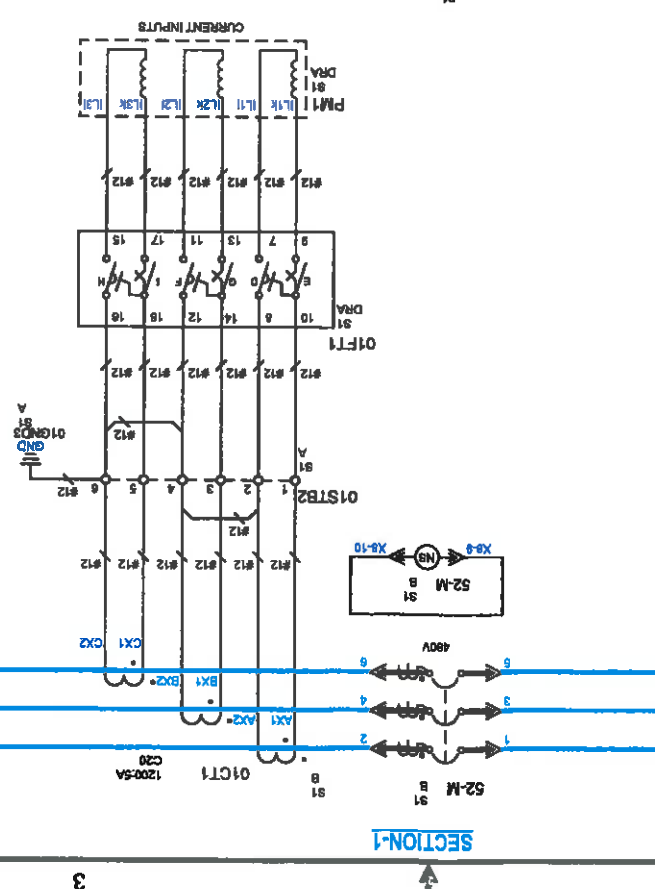
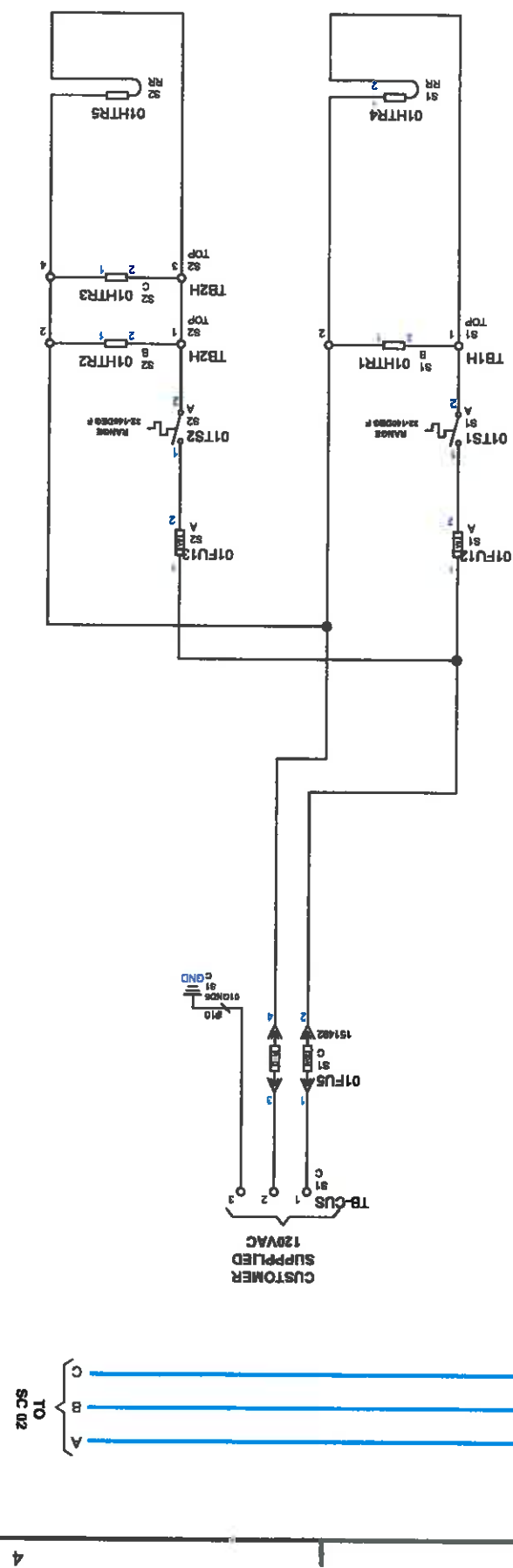
PRODUCT TYPE  
WL

PRELIMINARY:  
APPROVAL:  
CERTIFIED: X

SIEMENS S.O. #: 3025067642  
LINE ITEM: 22000

CUSTOMER:  
J.H. Ham Engineering, FL.  
GROUP:  
840CS1  
CUSTOMER PROJECT:  
J.H. Ham - Port Neal Project  
CUSTOMER ORDER:  
15229

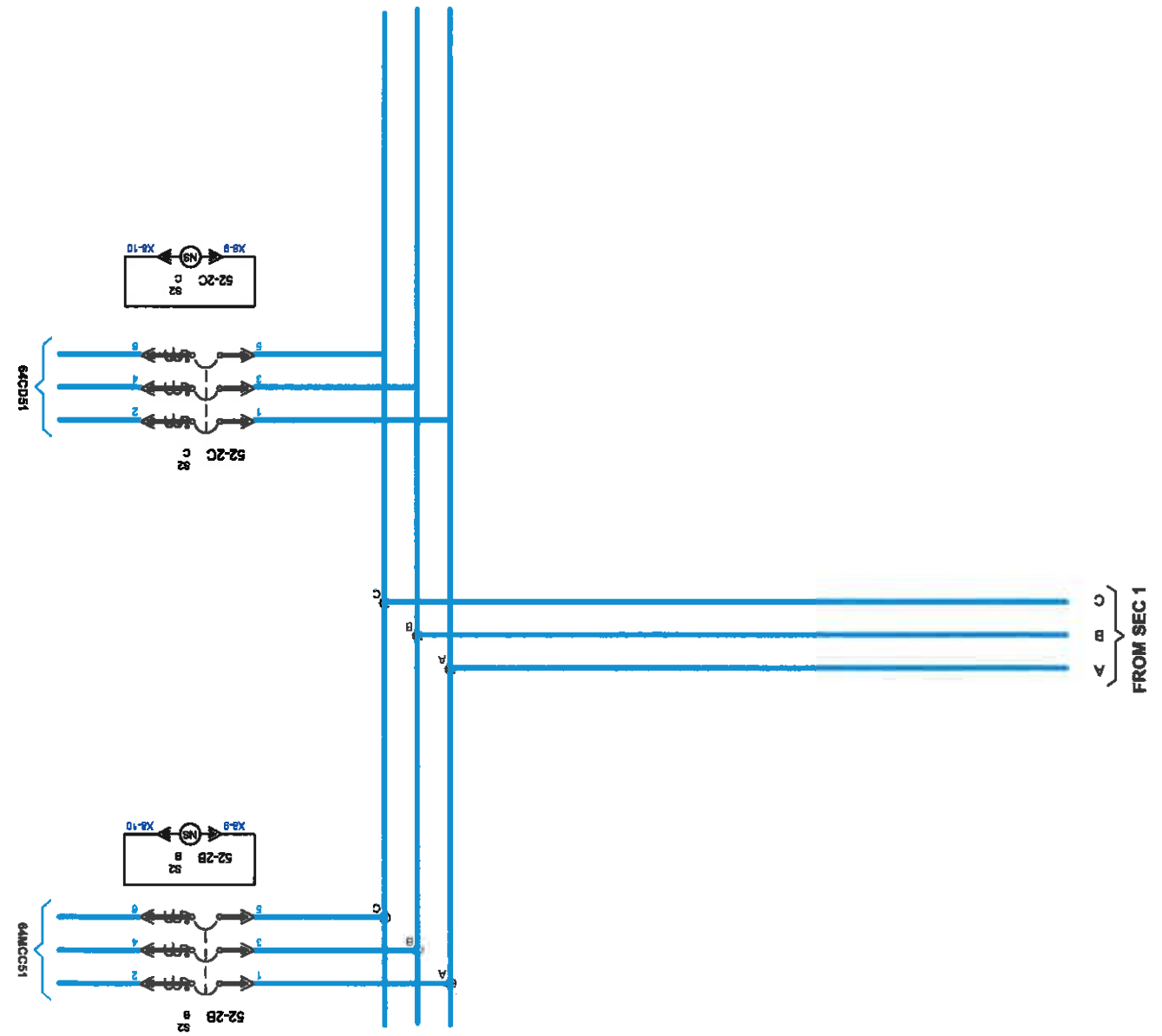
DOC. NO.: LVS 15-300067642 - 22000 - SC 01



PM1	DC	DM	DB	DOC	DOB	S1
01GND4						
01GND1						
01GND2						
01GND3						
01GND5						
01GND6						
01GND7						
01GND8						
01GND9						
01GND10						
01GND11						
01GND12						
01GND13						
01GND14						
01GND15						
01GND16						
01GND17						
01GND18						
01GND19						
01GND20						
01GND21						
01GND22						
01GND23						
01GND24						
01GND25						
01GND26						
01GND27						
01GND28						
01GND29						
01GND30						
01GND31						
01GND32						
01GND33						
01GND34						
01GND35						
01GND36						
01GND37						
01GND38						
01GND39						
01GND40						
01GND41						
01GND42						
01GND43						
01GND44						
01GND45						
01GND46						
01GND47						
01GND48						
01GND49						
01GND50						
01GND51						
01GND52						
01GND53						
01GND54						
01GND55						
01GND56						
01GND57						
01GND58						
01GND59						
01GND60						
01GND61						
01GND62						
01GND63						
01GND64						
01GND65						
01GND66						
01GND67						
01GND68						
01GND69						
01GND70						
01GND71						
01GND72						
01GND73						
01GND74						
01GND75						
01GND76						
01GND77						
01GND78						
01GND79						
01GND80						
01GND81						
01GND82						
01GND83						
01GND84						
01GND85						
01GND86						
01GND87						
01GND88						
01GND89						
01GND90						
01GND91						
01GND92						
01GND93						
01GND94						
01GND95						
01GND96						
01GND97						
01GND98						
01GND99						
01GND100						

BREAKERS, RELAYS AND AUXILIARY SWITCHES ARE SHOWN IN DE-ENERGIZED POSITION.  
DIAGRAM DOES NOT LOCATE POSITION OF PARTS.  
CUSTOMER'S CONNECTIONS ARE SHOWN DASHED.  
THE STANDARD SECONDARY WIRE IS #14 SIS UNLESS OTHERWISE STATED.

BREAKERS, RELAYS AND AUXILIARY SWITCHES ARE SHOWN IN DE-ENERGIZED POSITION.  
 DIAGRAM DOES NOT LOCATE POSITION OF PARTS.  
 CUSTOMER'S CONNECTIONS ARE SHOWN DASHED.  
 THE STANDARD SECONDARY WIRE IS #14 SIS UNLESS OTHERWISE STATED.



82-2C	82-2C
App. Cross Ref. Ph	App. Cross Ref. Ph
BM X8-5	BU X8-7
M X8-6	CU X8-8
CLB X7-10	CU X8-9
M X7-9	CU X8-10
LEC X7-8	CU X8-11
CP X8-3	CU X8-12
EMO X8-4	CU X8-13
GR X8-7	CU X8-14
GR X8-13	CU X8-15
GR X8-14	CU X8-16
GR X8-15	CU X8-17
GR X8-16	CU X8-18
GR X8-17	CU X8-19
GR X8-18	CU X8-20
GR X8-19	CU X8-21
GR X8-20	CU X8-22
GR X8-21	CU X8-23
GR X8-22	CU X8-24
GR X8-23	CU X8-25
GR X8-24	CU X8-26
GR X8-25	CU X8-27
GR X8-26	CU X8-28
GR X8-27	CU X8-29
GR X8-28	CU X8-30
GR X8-29	CU X8-31
GR X8-30	CU X8-32
GR X8-31	CU X8-33
GR X8-32	CU X8-34
GR X8-33	CU X8-35
GR X8-34	CU X8-36
GR X8-35	CU X8-37
GR X8-36	CU X8-38
GR X8-37	CU X8-39
GR X8-38	CU X8-40
GR X8-39	CU X8-41
GR X8-40	CU X8-42
GR X8-41	CU X8-43
GR X8-42	CU X8-44
GR X8-43	CU X8-45
GR X8-44	CU X8-46
GR X8-45	CU X8-47
GR X8-46	CU X8-48
GR X8-47	CU X8-49
GR X8-48	CU X8-50
GR X8-49	CU X8-51
GR X8-50	CU X8-52
GR X8-51	CU X8-53
GR X8-52	CU X8-54
GR X8-53	CU X8-55
GR X8-54	CU X8-56
GR X8-55	CU X8-57
GR X8-56	CU X8-58
GR X8-57	CU X8-59
GR X8-58	CU X8-60
GR X8-59	CU X8-61
GR X8-60	CU X8-62
GR X8-61	CU X8-63
GR X8-62	CU X8-64
GR X8-63	CU X8-65
GR X8-64	CU X8-66
GR X8-65	CU X8-67
GR X8-66	CU X8-68
GR X8-67	CU X8-69
GR X8-68	CU X8-70
GR X8-69	CU X8-71
GR X8-70	CU X8-72
GR X8-71	CU X8-73
GR X8-72	CU X8-74
GR X8-73	CU X8-75
GR X8-74	CU X8-76
GR X8-75	CU X8-77
GR X8-76	CU X8-78
GR X8-77	CU X8-79
GR X8-78	CU X8-80
GR X8-79	CU X8-81
GR X8-80	CU X8-82
GR X8-81	CU X8-83
GR X8-82	CU X8-84
GR X8-83	CU X8-85
GR X8-84	CU X8-86
GR X8-85	CU X8-87
GR X8-86	CU X8-88
GR X8-87	CU X8-89
GR X8-88	CU X8-90
GR X8-89	CU X8-91
GR X8-90	CU X8-92
GR X8-91	CU X8-93
GR X8-92	CU X8-94
GR X8-93	CU X8-95
GR X8-94	CU X8-96
GR X8-95	CU X8-97
GR X8-96	CU X8-98
GR X8-97	CU X8-99
GR X8-98	CU X8-100

82-2B	82-2B
App. Cross Ref. Ph	App. Cross Ref. Ph
BM X8-5	BU X8-7
M X8-6	CU X8-8
CLB X7-10	CU X8-9
M X7-9	CU X8-10
LEC X7-8	CU X8-11
CP X8-3	CU X8-12
EMO X8-4	CU X8-13
GR X8-7	CU X8-14
GR X8-13	CU X8-15
GR X8-14	CU X8-16
GR X8-15	CU X8-17
GR X8-16	CU X8-18
GR X8-17	CU X8-19
GR X8-18	CU X8-20
GR X8-19	CU X8-21
GR X8-20	CU X8-22
GR X8-21	CU X8-23
GR X8-22	CU X8-24
GR X8-23	CU X8-25
GR X8-24	CU X8-26
GR X8-25	CU X8-27
GR X8-26	CU X8-28
GR X8-27	CU X8-29
GR X8-28	CU X8-30
GR X8-29	CU X8-31
GR X8-30	CU X8-32
GR X8-31	CU X8-33
GR X8-32	CU X8-34
GR X8-33	CU X8-35
GR X8-34	CU X8-36
GR X8-35	CU X8-37
GR X8-36	CU X8-38
GR X8-37	CU X8-39
GR X8-38	CU X8-40
GR X8-39	CU X8-41
GR X8-40	CU X8-42
GR X8-41	CU X8-43
GR X8-42	CU X8-44
GR X8-43	CU X8-45
GR X8-44	CU X8-46
GR X8-45	CU X8-47
GR X8-46	CU X8-48
GR X8-47	CU X8-49
GR X8-48	CU X8-50
GR X8-49	CU X8-51
GR X8-50	CU X8-52
GR X8-51	CU X8-53
GR X8-52	CU X8-54
GR X8-53	CU X8-55
GR X8-54	CU X8-56
GR X8-55	CU X8-57
GR X8-56	CU X8-58
GR X8-57	CU X8-59
GR X8-58	CU X8-60
GR X8-59	CU X8-61
GR X8-60	CU X8-62
GR X8-61	CU X8-63
GR X8-62	CU X8-64
GR X8-63	CU X8-65
GR X8-64	CU X8-66
GR X8-65	CU X8-67
GR X8-66	CU X8-68
GR X8-67	CU X8-69
GR X8-68	CU X8-70
GR X8-69	CU X8-71
GR X8-70	CU X8-72
GR X8-71	CU X8-73
GR X8-72	CU X8-74
GR X8-73	CU X8-75
GR X8-74	CU X8-76
GR X8-75	CU X8-77
GR X8-76	CU X8-78
GR X8-77	CU X8-79
GR X8-78	CU X8-80
GR X8-79	CU X8-81
GR X8-80	CU X8-82
GR X8-81	CU X8-83
GR X8-82	CU X8-84
GR X8-83	CU X8-85
GR X8-84	CU X8-86
GR X8-85	CU X8-87
GR X8-86	CU X8-88
GR X8-87	CU X8-89
GR X8-88	CU X8-90
GR X8-89	CU X8-91
GR X8-90	CU X8-92
GR X8-91	CU X8-93
GR X8-92	CU X8-94
GR X8-93	CU X8-95
GR X8-94	CU X8-96
GR X8-95	CU X8-97
GR X8-96	CU X8-98
GR X8-97	CU X8-99
GR X8-98	CU X8-100

**WARNING: TO ENSURE AGAINST ELECTRIC SHOCK OR ACCIDENT DANGER DISCONNECT ALL SOURCES OF SUPPLY BEFORE SERVICING**

SIEMENS S.O. # 3005087942  
 LINE ITEM: 22000  
 CUSTOMER: JH Item Engineering, FL  
 GROUP: 640CC51  
 CUSTOMER PROJECT: JH-Item - Port Neal Project  
 CUSTOMER ORDER: 18228

PRELIMINARY: APPROVAL: X  
 APPROVAL: CERTIFIED:

PRODUCT TYPE: VIL  
 SCALE: 1 mm : 1 mm  
 DOCUMENT NAME: THREE-LINE DIAGRAM SECTION # 1,2 SWITCHGEAR "640CC51"  
 DRAWN: DVF  
 APPRV:

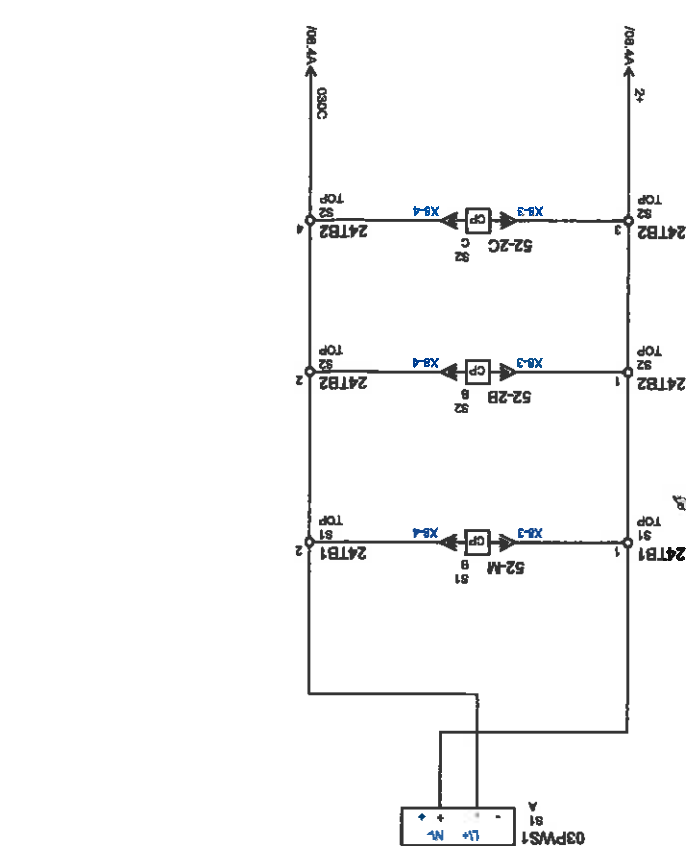
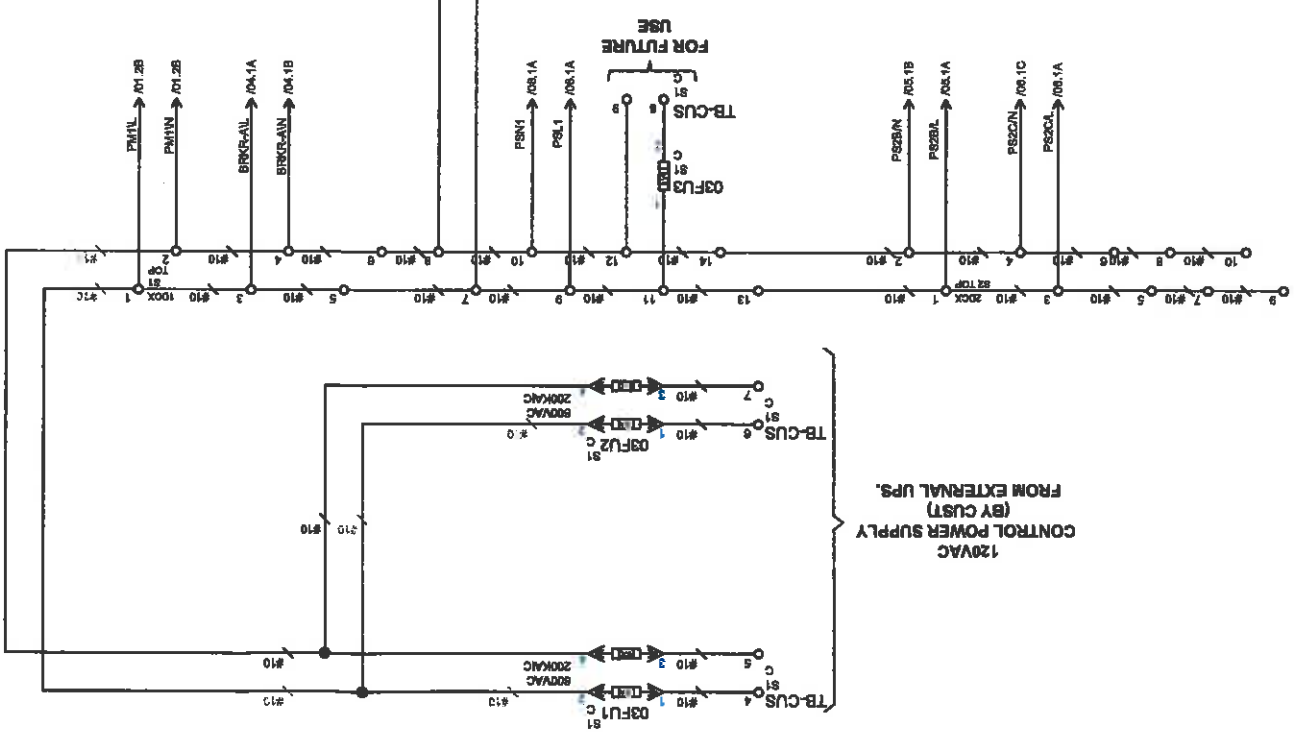
DDC NO.: LVS 15-3005087942-22000-SC 02

SIEMENS  
 Siemens Industry Inc.  
 Grand Prairie, TX 75050

01 12/02/04 DVF RELEASED FOR MANUFACTURING  
 02 08/12/04 DVF ISSUED FOR APPROVALS  
 03 08/12/04 DVF

D C B A

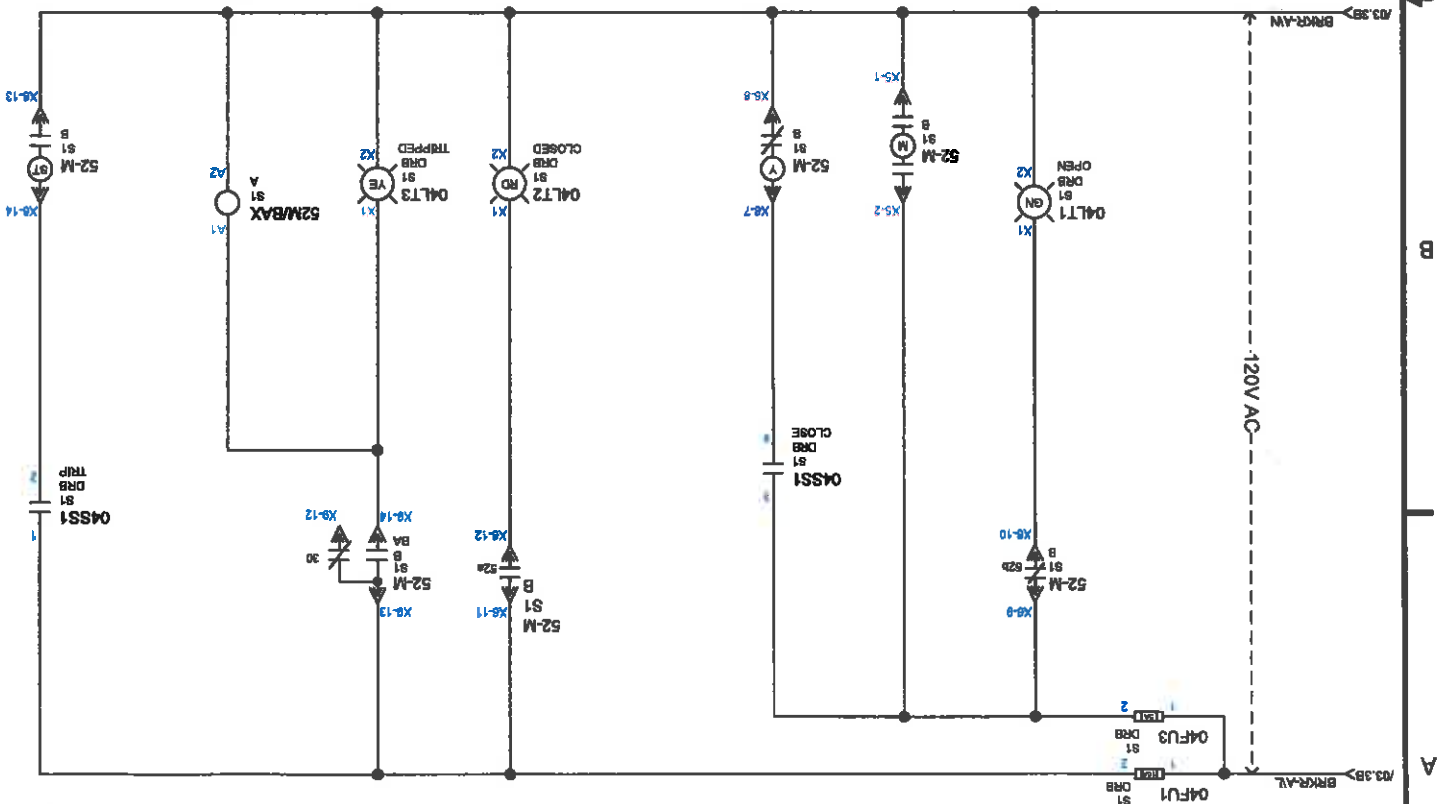
**120VAC AND 24VDC CONTROL POWER DIST CIRCUIT**



<p>WARNING: TO ENSURE AGAINST ELECTRIC SHOCK OR ACCIDENT DANGER, DISCONNECT ALL SOURCES OF SUPPLY BEFORE SERVICING</p>	
<p>SIEMENS S.O. #: 3005067642</p>	<p>PRELIMINARY APPROVAL: X</p>
<p>LINE ITEM: 22000</p>	<p>PRODUCT TYPE: WL</p>
<p>CUSTOMER: JH-Ham Engineering, FL</p>	<p>SCALE: 1 mm.: 1 mm.</p>
<p>GRUP: 6ACCS1</p>	<p>DRAWN: DVP</p>
<p>CUSTOMER PROJECT: JH-Ham - Port Neal Project</p>	<p>APPV: LVS 16 - 3005067642 - 22000 - SC 03</p>
<p>CUSTOMER ORDER: 15228</p>	<p>DOCUMENT NAME: SCHEMATIC DIAGRAM CUSTOMER SUPPLIED 120VDC DISTRIBUTION CIRCUIT SWITCHGEAR 6ACCS1</p>
<p>SIEMENS Siemens Industry Inc. Oswego Plant, TX 77660</p>	<p>RELEASED FOR MANUFACTURING</p>

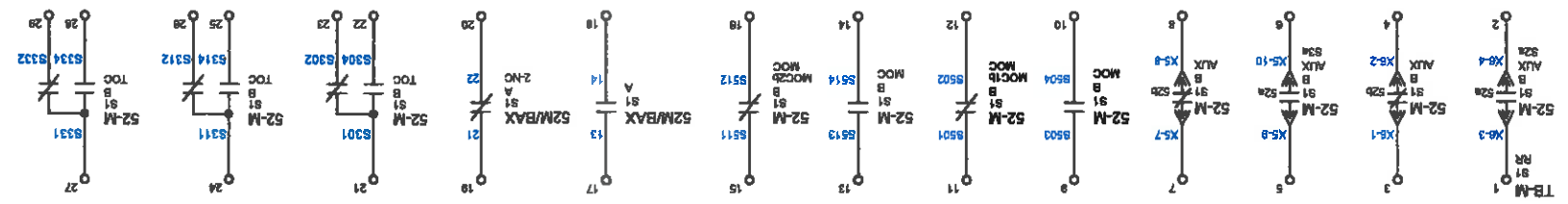
BREAKERS, RELAYS AND AUXILIARY SWITCHES ARE SHOWN IN DE-ENERGIZED POSITION. DIAGRAM DOES NOT LOCATE POSITION OF CUSTOMER'S CONNECTIONS ARE SHOWN DASHED. UNLESS OTHERWISE STATED, THE STANDARD SECONDARY WIRE IS #14 SIS PARTS.

52-M MAIN BREAKER CONTROL CIRCUIT



04SS1 S1

TRIP	TRIP	TRIP	TRIP	TRIP	TRIP	TRIP	TRIP	TRIP	TRIP
CLOSE	CLOSE	CLOSE	CLOSE	CLOSE	CLOSE	CLOSE	CLOSE	CLOSE	CLOSE
DRB	DRB	DRB	DRB	DRB	DRB	DRB	DRB	DRB	DRB
1	2	3	4	5	6	7	8	9	10



BREAKERS, RELAYS AND AUXILIARY SWITCHES ARE SHOWN IN DE-ENERGIZED POSITION.  
 DIAGRAM DOES NOT LOCATE POSITION OF PARTS.  
 CUSTOMER'S CONNECTIONS ARE SHOWN DASHED.  
 UNLESS OTHERWISE STATED, THE STANDARD SECONDARY WIRE IS #14.

**WARNING: TO ENSURE AGAINST ELECTRIC SHOCK OR ACCIDENT DANGER, DISCONNECT ALL SOURCES OF SUPPLY BEFORE SERVICING**

<p>SIEMENS S.O. #: 3005067642                  LINE ITEM: 22000</p>	<p>PRELIMINARY APPROVAL: X                  CERTIFIED:</p>	<p>PRODUCT TYPE: WL</p>	<p>SCALE: 1 mm. : 1 mm.                  DRAWN: DVP                  APPRV:</p>	<p>DOCUMENT NAME:                  SCHEMATIC DIAGRAM                  BREAKER CONTROL CIRCUIT-SECTION #1                  SWITCHGEAR '64CC291'</p>
---	--	-------------------------	---	--

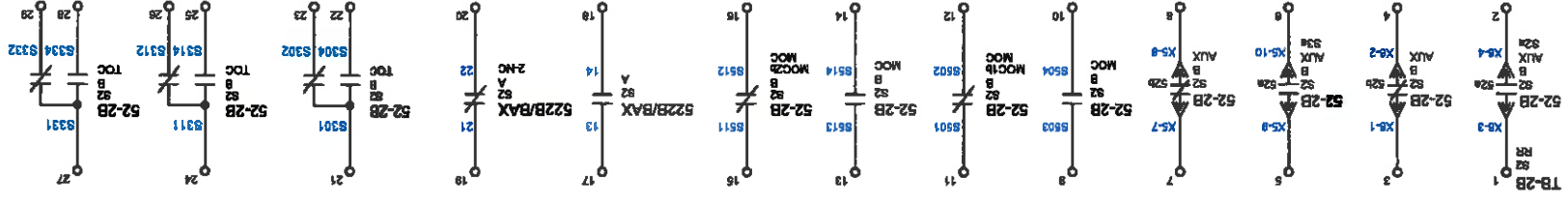
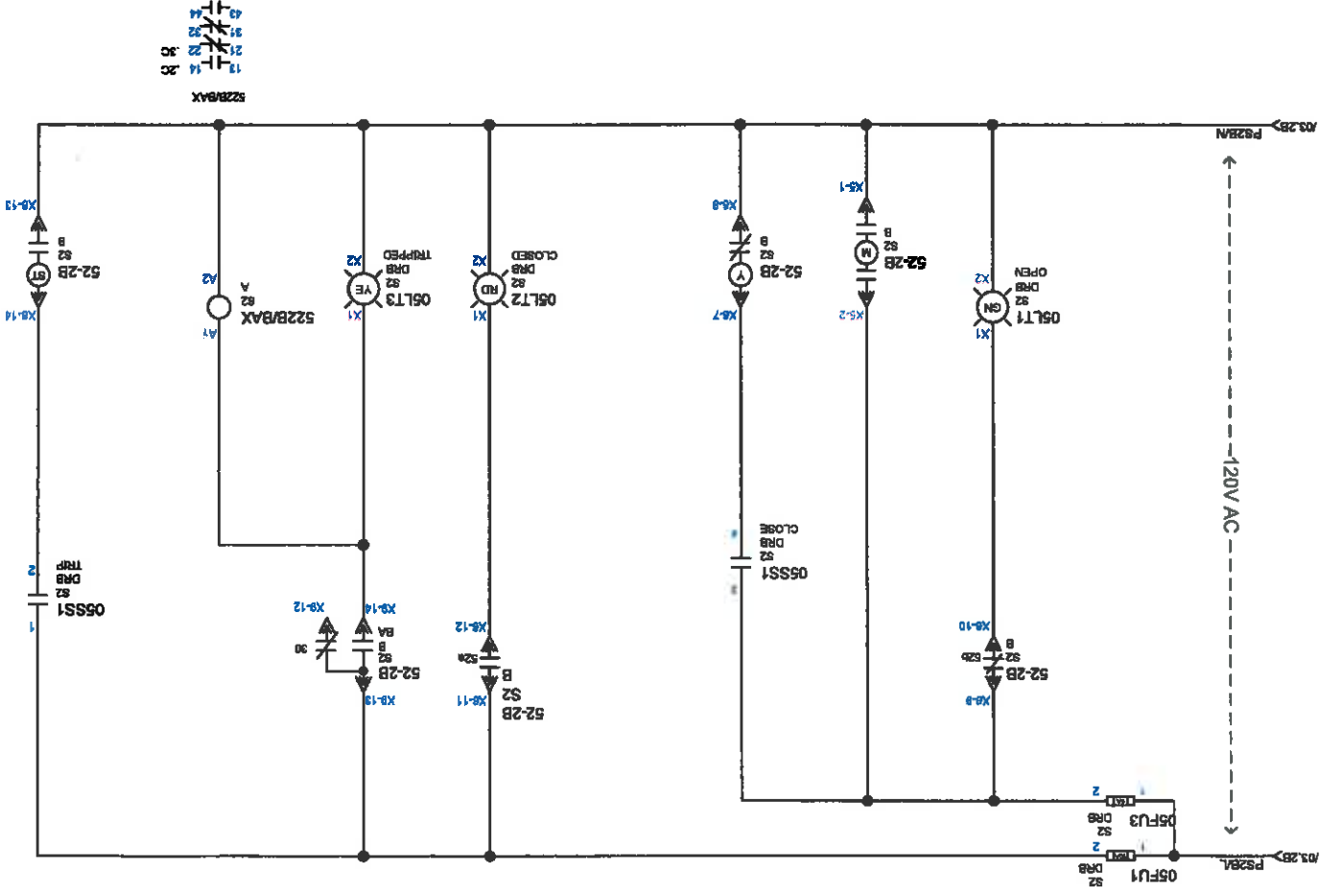
Customer: JH Team Engineering, FL.  
 Group: 64CC291  
 Customer Project: JH-Ham - Port Neal Propad  
 Customer Order: 19228

DOC. NO.: LVS 15-3005067642-22000 - SC 04

01	12/18/2014	DVP	RELEASED FOR MANUFACTURING
02	08/15/2014	DVP	ISSUED FOR APPROVALS



52-2B FEEDER BREAKER CONTROL CIRCUIT



TRIP	TRIP	TRIP	TRIP	TRIP	TRIP	TRIP	TRIP	TRIP	TRIP
1	2	3	4	5	6	7	8	9	10
11	12	13	14	15	16	17	18	19	20
21	22	23	24	25	26	27	28	29	30
31	32	33	34	35	36	37	38	39	40
41	42	43	44	45	46	47	48	49	50

O5SS1  
DS

**WARNING: TO ENSURE AGAINST ELECTRIC SHOCK OR ACCIDENT DANGER, DISCONNECT ALL SOURCES OF SUPPLY BEFORE SERVING**

<p>SIEMENS S.O. #: 300507642</p> <p>LINE ITEM: 22000</p> <p>CUSTOMER: JH Ham Engineering, FL</p> <p>GROUP: 6A0051</p> <p>CUSTOMER PROJECT: JH-Ham - Port Neal Project</p> <p>CUSTOMER ORDER: 13228</p>	<p>PRELIMINARY APPROVAL: X</p> <p>CERTIFIED:</p>	<p>PRODUCT TYPE: VIL</p> <p>SCALE: 1 mm : 1 mm</p> <p>DRAWN: DVP</p> <p>APPV:</p>	<p>DOC. NO.: LVS 15-300507642-22000 - SC 05</p>
<p>SIEMENS</p> <p>Siemens Industry Inc.</p> <p>One River Street, TX 75000</p>		<p>DOCUMENT NAME: SCHEMATIC DIAGRAM BREAKER CONTROL CIRCUIT - SECTION #1 SWITCHGEAR "6A0051"</p>	

RELEASING FOR APPROVALS

RELEASING FOR MANUFACTURING

BREAKERS, RELAYS AND AUXILIARY SWITCHES ARE SHOWN IN DE-ENERGIZED POSITION.  
 DIAGRAM DOES NOT LOCATE POSITION OF PARTS.  
 CUSTOMER'S CONNECTIONS ARE SHOWN DASHED.  
 THE STANDARD SECONDARY WIRE IS #14 SIS UNLESS OTHERWISE STATED.

D

D

C

C

B

B

A

A

2

2

3

3

4

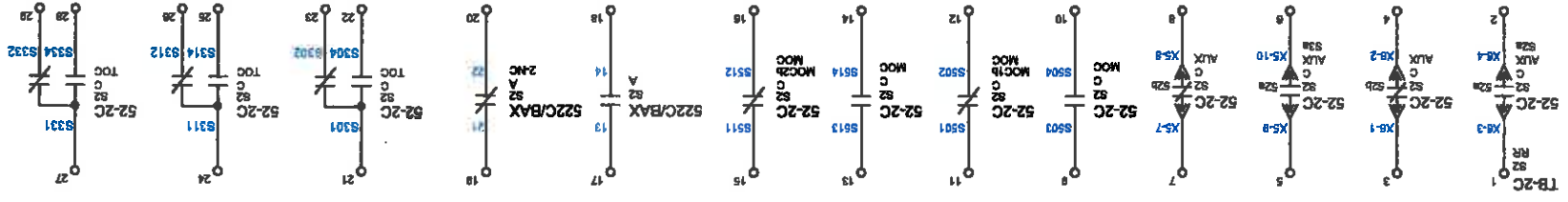
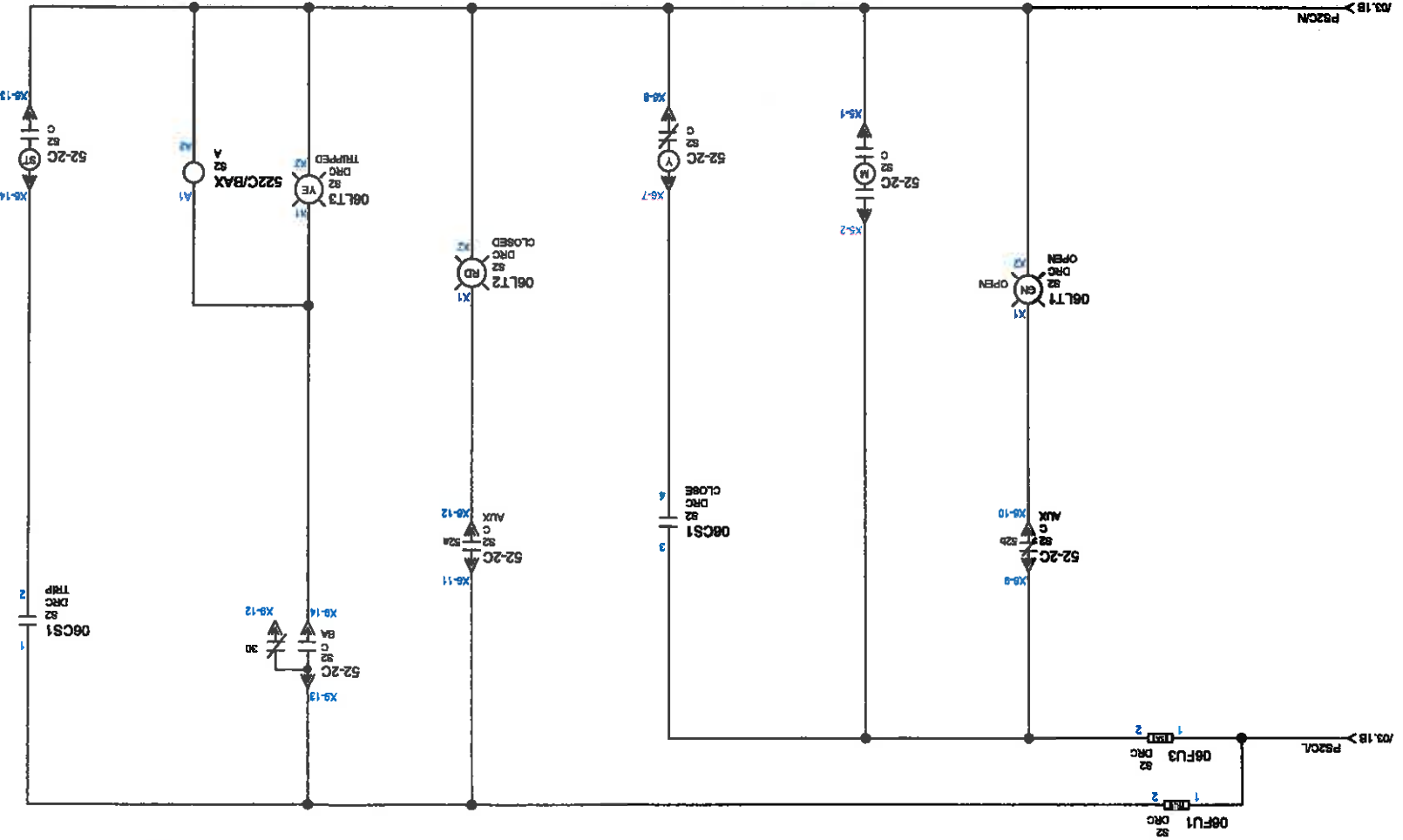
A

B

C

D

52-2C FEEDER BREAKER CONTROL SCHEMATIC



TRIP	CLOSE	TRIP	CLOSE
1	2	3	4
5	6	7	8
9	10	11	12
13	14	15	16
17	18	19	20
21	22	23	24
25	26	27	28

PORTION ENCLOSED  
DRC  
S2  
DRC  
06CS1

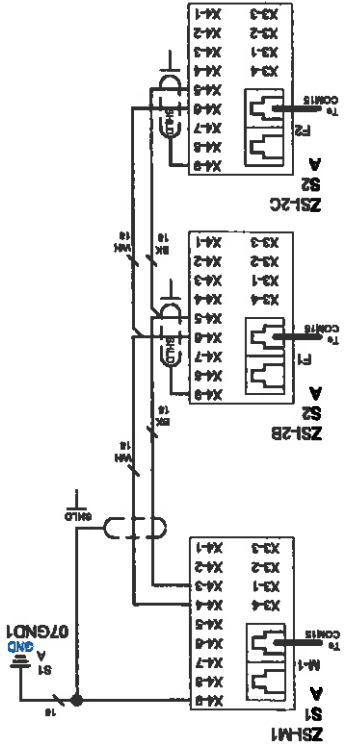
WARNING: TO ENSURE AGAINST ELECTRIC SHOCK OR ACCIDENT DANGER, DISCONNECT ALL SOURCES OF SUPPLY BEFORE SERVICING

SIEMENS S.O. #: 300607642	PRELIMINARY APPROVAL: X	PRODUCT TYPE: WL	DOCUMENT NAME: SCHEMATIC DIAGRAM BREAKER CONTROL CIRCUIT-SECTION #2
LINE ITEM: 22000	CUSTOMER: JH-Han Engineering, FL.	SCALE: 1 mm. : 1 mm.	DRAWN: DVP
CUSTOMER GROUP: 06CS1	CUSTOMER PROJECT: JH-Han - Port Neal Project	APPROV: LVS	DOC. NO.: LVS 16-300607642-22000 - SC 06
CUSTOMER ORDER: 18228			

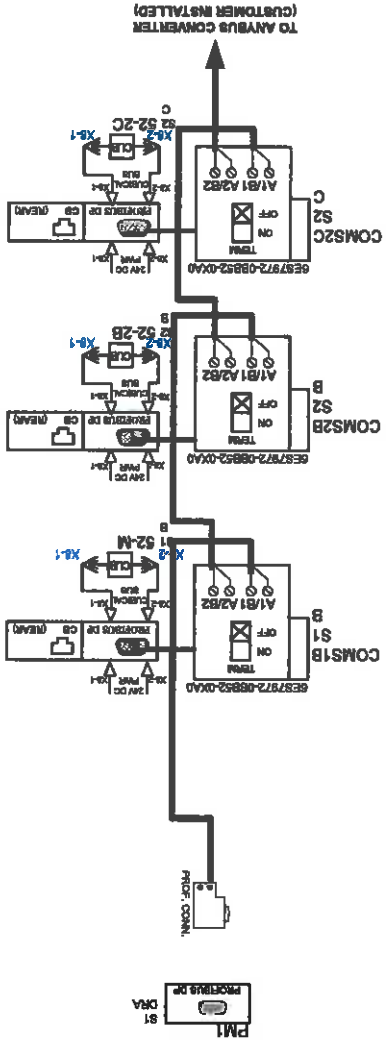
REV	DESCRIPTION	DATE	BY	CHKD
01	ISSUED FOR APPROVALS	01/12/2014	DVP	
02	RELEASED FOR MANUFACTURING	01/12/2014	DVP	

BREAKERS, RELAYS AND AUXILIARY SWITCHES ARE SHOWN IN DE-ENERGIZED POSITION.  
DIAGRAM DOES NOT LOCATE POSITION OF PARTS.  
CUSTOMER'S CONNECTIONS ARE SHOWN DASHED.  
THE STANDARD SECONDARY WIRE IS #14 SIS UNLESS OTHERWISE STATED.

BREAKERS, RELAYS AND AUXILIARY  
 SWITCHES ARE SHOWN IN DE-ENERGIZED  
 POSITION.  
 DIAGRAM DOES NOT LOCATE POSITION OF  
 PARTS.  
 CUSTOMER'S CONNECTIONS ARE SHOWN  
 DASHED.  
 THE STANDARD SECONDARY WIRE IS #14 SIS  
 UNLESS OTHERWISE STATED.



ZONE SELECTIVE INTERLOCKING FOR MAIN FEEDER BREAKERS



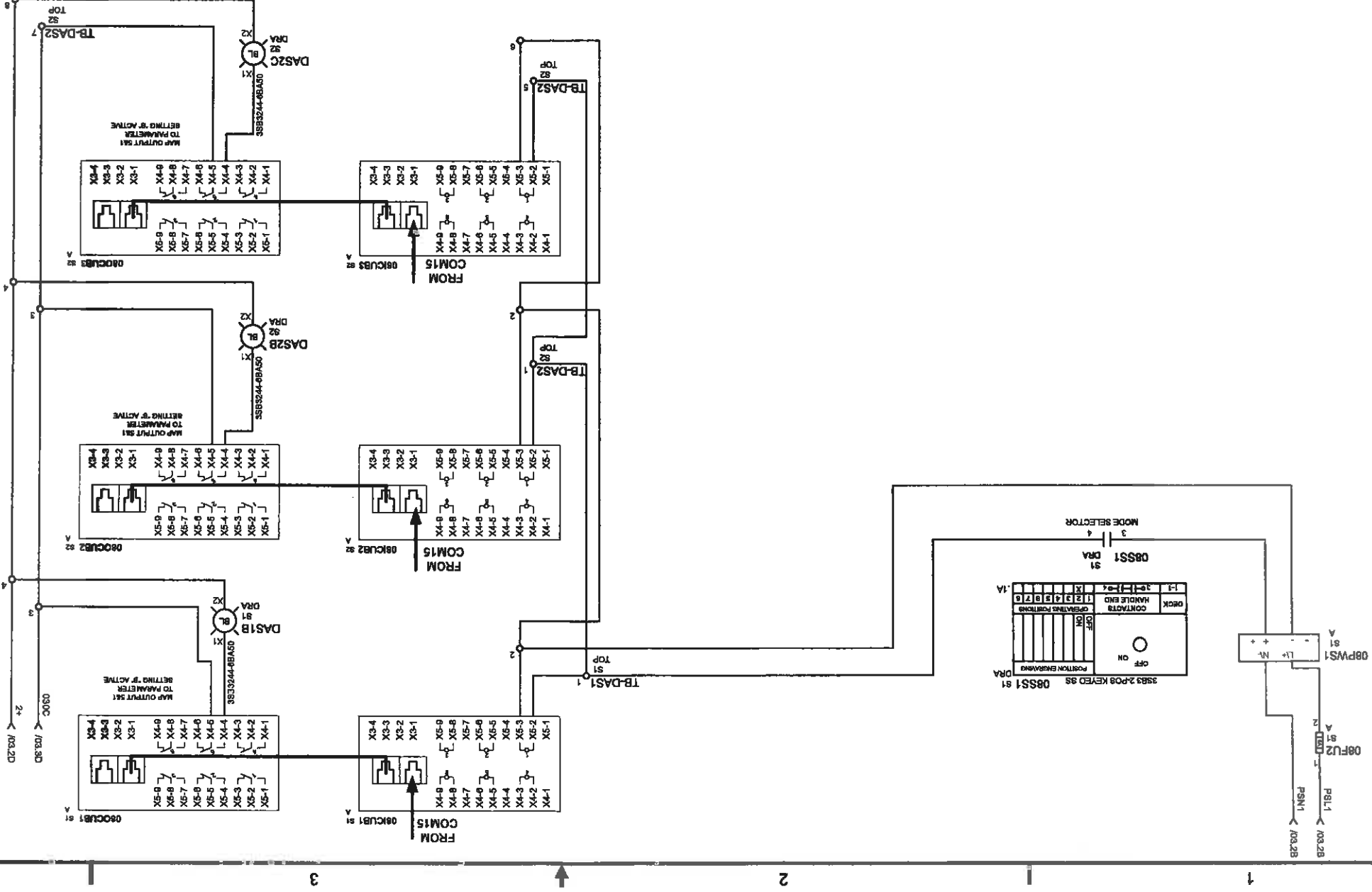
PROFIBUS COMMUNICATION

WARNING: TO ENSURE AGAINST ELECTRIC SHOCK OR ACCIDENT DANGER, DISCONNECT ALL SOURCES OF SUPPLY BEFORE SERVICING

PRELIMINARY: APPROVAL: CERTIFIED: X	PRODUCT TYPE WL	SCALE 1 mm : 1 mm	DOCUMENT NAME: SCHEMATIC DIAGRAM ZSI/PROFIBUS COMMUNICATION CIRCUIT SWITCHGEAR 840C01
SIEMENS S.O. #: 3009087642 LINE ITEM: 22000 CUSTOMER: JH Ham Engineering, FL GROUP: 840C01 CUSTOMER PROJECT: JH-Ham - Port Neal Project CUSTOMER ORDER: 115228	SIEMENS Siemens Industry Inc. Grand Prairie, TX 75086	DRAWN: DVP APPRV: DOC. NO.: LVS 19-3009087642 - SC 07	

REQUIRED FOR APPROVALS  
 DVP 17/12/2014  
 RELEASED FOR MANUFACTURING

BREAKERS, RELAYS AND AUXILIARY  
 SWITCHES ARE SHOWN IN DE-ENERGIZED  
 POSITION.  
 DIAGRAM DOES NOT LOCATE POSITION OF  
 PARTS.  
 CUSTOMER'S CONNECTIONS ARE SHOWN  
 DASHED.  
 THE STANDARD SECONDARY WIRE IS #14 SIS  
 UNLESS OTHERWISE STATED.



WARNING: TO ENSURE AGAINST ELECTRIC SHOCK OR ACCIDENT DANGER, DISCONNECT ALL SOURCES OF SUPPLY BEFORE SERVICING

<b>SIEMENS</b> Siemens Industry Inc. One Riverchase Circle Grand Prairie, TX 75050		PRODUCT TYPE WL	PRELIMINARY: APPROVAL: X CERTIFIED:	SIEMENS S.O. #: 3005067642 LINE ITEM: 22000
DOCUMENT NAME: SCHEMATIC DIAGRAM DAS-DYNAMIC ARC SENSITV SWITCHGEAR "64C0S1"		SCALE 1 mm : 1 mm. DRAWN: DVP APPRV:	CUSTOMER: JH-Ham Engineering, FL GROUP: 64C0S1 CUSTOMER PROJECT: JH-Ham - Port Neal Project CUSTOMER ORDER: 15228	
DOC. NO.: LVS 15-3005067642-22000 - SC 08		ISSUED FOR APPROVALS 01 12/15/2014 RELEASED FOR MANUFACTURING		

D C B A  
 4 3 2 1