

Row	Part of	Designation	Reference	Material	Description	Manufacturer
1	S1 A	01FU7	SC 01.2B	30313R	3P CLASS CC FUSE HOLDER	SHAWMUT
2	S1 A	01FU10	SC 01.2B	30311R	1P CLASS CC FUSE HOLDER, REJECTION	MERSEN
3	S1 A	01FU12	SC 01.3C	30311R	1P CLASS CC FUSE HOLDER	SHAWMUT
4	S1 A	01STB2		IKU6S	6 PT SHORT CIRCUIT TB	ITI
5	S1 A	01TS1	SC 01.3C	011409-00	Adjustable thermostat	STEGO
6	S1 A	03FU5	SC 03.2B	30311R	1P CLASS CC FUSE HOLDER, REJECTION	MERSEN
7	S1 A	03PWS1	SC 03.2B	6EP13321SH43	UL CLASS 2 PWR SUPPLY: 24VDC, 2.5A	SIEMENS
8	S1 A	10FU1	SC 10.1A	30311R	1P CLASS CC FUSE HOLDER, REJECTION	MERSEN
9	S1 A	10CUB1	SC 10.3A	WLDGNCUB	WL CUBICLE BUS DIGITAL INPUT MODULE	SIEMENS
10	S1 A	10CUB2	SC 10.3B	WLDGNCUB	WL CUBICLE BUS DIGITAL INPUT MODULE	SIEMENS
11	S1 A	10OCUB1	SC 10.3A	WLRLYCCUB	WL CUBICLE BUS CONFIGURABLE DIGITAL OUTPUT MODULE	SIEMENS
12	S1 A	10OCUB2	SC 10.3B	WLRLYCCUB	WL CUBICLE BUS CONFIGURABLE DIGITAL OUTPUT MODULE	SIEMENS
13	S1 A	10PWS1	SC 10.1A	6EP13321SH43	UL CLASS 2 PWR SUPPLY: 24VDC, 2.5A	SIEMENS
14	S1 A	52M/BAX	SC 04.2B	3RH11221AK60	2&2 AUX RLY 120VAC	SIEMENS
15	S1 A	521D/BAX	SC 05.3B	3RH11221AK60	2&2 AUX RLY 120VAC	SIEMENS
16	S1 A	ZSI-1D	SC 09.1B	WLZSMD	ZONE INTERLOCKING MODULE	SIEMENS
17	S1 A	ZSI-M1	SC 09.1A	WLZSMD	ZONE INTERLOCKING MODULE	SIEMENS
18	S1 A 01FU7			DFG3M	SAFETY COVER	SHAWMUT
19	S1 A 01FU7			DFG3M	SAFETY COVER	SHAWMUT
20	S1 A 01FU7			DFG3M	SAFETY COVER	SHAWMUT
21	S1 A 01FU7	01FU6	SC 01.2B	ATMR3	600V 3A CLASS CC FUSE	SHAWMUT
22	S1 A 01FU7	01FU8	SC 01.2B	ATMR3	600V 3A CLASS CC FUSE	SHAWMUT
23	S1 A 01FU7	01FU9	SC 01.2B	ATMR3	600V 3A CLASS CC FUSE	SHAWMUT
24	S1 A 01FU10			DFG3M	SAFETY COVER	SHAWMUT
25	S1 A 01FU10	01FU11	SC 01.2B	ATMR3	600V 3A CLASS CC FUSE	SHAWMUT
26	S1 A 01FU12			DFG3M	SAFETY COVER	SHAWMUT
27	S1 A 01FU12	01FU14	SC 01.3C	ATMR5	600V 5A CLASS CC FUSE	SHAWMUT
28	S1 A 03FU5			DFG3M	SAFETY COVER	SHAWMUT
29	S1 A 03FU5	03FU4	SC 03.2B	ATMR6	600V 6A CLASS CC FUSE	SHAWMUT
30	S1 A 10FU1			DFG3M	SAFETY COVER	SHAWMUT
31	S1 A 10FU1	10FU2	SC 10.1A	ATMR6	600V 6A CLASS CC FUSE	SHAWMUT
32	S1 A ZSI-1D	WLCBUSCABLE4		WLCBUSCABLE4	ZSI MODULE CABLE 4 FEET	SIEMENS
33	S1 A ZSI-M1	WLCBUSCABLE4		WLCBUSCABLE4	ZSI MODULE CABLE 4 FEET	SIEMENS
34	S1 B	01CT1	SC 01.3A	11-A-1400-17	CT FSIII 3PH 4000:5	ITI
35	S1 B	COMS1B	SC 09.3B	6ES79720BB520XA0	PROFIBUS CONNECTOR, WITH SOCKET	SIEMENS
36	S1 C	01FU5	SC 01.4B	151492	2P CLASS J FUSE HOLDER	USD
37	S1 C	03FU1	SC 03.2A	151492	3P CLASS J FUSE HOLDER	USD
38	S1 C	03FU2	SC 03.2A	151492	3P CLASS J FUSE HOLDER	USD
39	S1 C	03FU3	SC 03.2B	30311R	1P CLASS CC FUSE HOLDER, REJECTION	MERSEN
40	S1 C 01FU5		SC 01.4B	AJT20	TIME DELAY CLASS J FUSE 20A	MERSEN
41	S1 C 01FU5		SC 01.4B	NLJ30	FUSE ROD FOR CLASS J	MERSEN
42	S1 C 03FU1		SC 03.2A	NLJ30	FUSE ROD FOR CLASS J	MERSEN
43	S1 C 03FU1		SC 03.2A	AJT20	TIME DELAY CLASS J FUSE 20A	MERSEN
44	S1 C 03FU2		SC 03.2A	AJT20	TIME DELAY CLASS J FUSE 20A	MERSEN
45	S1 C 03FU2		SC 03.2A	NLJ30	FUSE ROD FOR CLASS J	MERSEN
46	S1 C 03FU3	03FU10		ATMR5	FAST ACTING, CURRENT LIMITING CLASS CC FUSE 5A	MERSEN

00	08/15/2014	DVP	ISSUED FOR APPROVALS
01	12/15/2014	DVP	RELEASED FOR MANUFACTURING

SIEMENS
 Siemens Industry Inc.
 Grand Prairie, TX 75050

LINE ITEM: 23000
 SIEMENS S.O.#:3005067642
 PRELIMINARY: APPROVAL: CERTIFIED: X
 PRODUCT TYPE: WL

SCALE: 1 mm. : 1 mm.
 DRAWN: DVP
 APPRV:

DOCUMENT NAME:
 BILL OF MATERIALS
 WL SWITCHGEAR
 SWITCHGEAR "64CC61"

CUSTOMER: JH Ham Engineering, FL.
 GROUP: 64CC61
 CUSTOMER PROJECT: JH-Ham - Port Neal Project
 CUSTOMER ORDER: 15228

DOC. NO.: LVS 15-3005067642-23000-01 BM
 PAGE NO: 1
 OF PAGES: 3

Blue 6 Swkr
 480V
 64CC61
 1-6-15

Row	Part of	Designation	Reference	Material	Description	Manufacturer
47	S1 D	COMS1D	SC 09.3B	6ES79720BB520XA0	PROFIBUS CONNECTOR, WITH SOCKET	SIEMENS
48	S1 DRA	01FT1		129A514G01	6 CUR, 4 POT POLE ABB FT-1 TEST SWITCH	ABB
49	S1 DRA	10SS1	SC 10.1A	3SB32024AD11	RONIS 2-POS KEYED SELECTOR SWITCH	SIEMENS
50	S1 DRA	DAS1B	SC 10.3A	3SB32446BA50	BLU PILOT LT 24VDC LED	SIEMENS
51	S1 DRA	DAS1D	SC 10.3B	3SB32446BA50	BLU PILOT LT 24VDC LED	SIEMENS
52	S1 DRA PM1	DP	SC 09.3A	7KM93000A0B000AA0	SENTRON PAC PROFIBUS DP MODULE	SIEMENS
53	S1 DRA PM1 DP	PROF. CONN.	SC 09.3A	6ES79720BB520XA0	PROFIBUS CONNECTOR, WITH SOCKET	SIEMENS
54	S1 DRB	04FU1	SC 04.1A	571008	DOOR MOUNT CLASS CC FUSE HOLDER	LITTLEFUSE
55	S1 DRB	04FU3	SC 04.1A	571008	DOOR MOUNT CLASS CC FUSE HOLDER	LITTLEFUSE
56	S1 DRB	04LT1	SC 04.1B	3SB32046BA40-3SB39011DF	GREEN PILOT LT LENS,SKT,LED 120VAC	SIEMENS
57	S1 DRB	04LT2	SC 04.2B	3SB32046BA20-3SB39011CF	RED PILOT LT LENS,SKT,LED 120VAC	SIEMENS
58	S1 DRB	04LT3	SC 04.2B	3SB32046BA30-3SB39011BF	YEL PILOT LT 120VAC LED	SIEMENS
59	S1 DRB	04SS1	SC 04.3A	20KD38	BREAKER CONTROL SWITCH	ELECTROSWTICH
60	S1 DRB 04FU1	04FU2	SC 04.1A	ATMR10	600V 10A CLASS CC FUSE	SHAWMUT
61	S1 DRB 04FU3	04FU4	SC 04.1A	ATMR5	600V 5A CLASS CC FUSE	SHAWMUT
62	S1 DRD	05CS1	SC 05.3C	20KD38	CONTROL BKR SWITCH	ELECTROSWITCH
63	S1 DRD	05FU1	SC 05.1A	571008	DOOR MOUNT CLASS CC FUSE HOLDER	LITTLEFUSE
64	S1 DRD	05FU3	SC 05.1A	571008	DOOR MOUNT CLASS CC FUSE HOLDER	LITTLEFUSE
65	S1 DRD	05LT1	SC 05.1B	3SB32046BA40-3SB39011DF	GRN PILOT LT 120VAC LED	SIEMENS
66	S1 DRD	05LT2	SC 05.2B	3SB32046BA20-3SB39011CF	RED PILOT LT 120VAC LED	SIEMENS
67	S1 DRD	05LT3	SC 05.3B	3SB32046BA30-3SB39011BF	YEL PILOT LT 120VAC LED	SIEMENS
68	S1 DRD 05FU1	05FU2	SC 05.1A	ATMR10	600V 10A CLASS CC FUSE	SHAWMUT
69	S1 DRD 05FU3	05FU4	SC 05.1A	ATMR5	600V 5A CLASS CC FUSE	SHAWMUT
70	S1 RR	01FU1	SC 01.2A	151493	3P CLASS J FUSE HOLDER	USD
71	S1 RR	01HTR6	SC 01.3D	US2:SGA1J10J02	STRIP HEATER, 240VAC, 250W	WATLOW
72	S1 RR	01SPD1	SC 01.1A	US2:TPS3E063000	SPD, INTERNAL, 300KA, 480V/277V 3PH 4W,	SIEMENS
73	S1 RR	01VT1	SC 01.1A	468-480	VT 480:120V 150VA	ITI
74	S1 RR	01VT2	SC 01.2A	468-480	VT 480:120V 150VA	ITI
75	S1 RR	01VT3	SC 01.2A	468-480	VT 480:120V 150VA	ITI
76	S1 RR 01FU1	01FU2	SC 01.2A	AJT3	600V 3A CLASS J FUSE	SHAWMUT
77	S1 RR 01FU1	01FU3	SC 01.2A	AJT3	600V 3A CLASS J FUSE	SHAWMUT
78	S1 RR 01FU1	01FU4	SC 01.2A	AJT3	600V 3A CLASS J FUSE	SHAWMUT
79	S2 A	01FU13	SC 01.4C	30311R	1P CLASS CC FUSE HOLDER	SHAWMUT
80	S2 A	01TS2	SC 01.4C	011409-00	Adjustable thermostat	STEGO
81	S2 A	03FU6	SC 03.3B	30311R	1P CLASS CC FUSE HOLDER, REJECTION	MERSEN
82	S2 A	03PWS2	SC 03.3B	6EP13321SH43	UL CLASS 2 PWR SUPPLY, 24VDC, 2.5A	SIEMENS
83	S2 A	10ICUB3	SC 10.3B	WLDGNCUB	WL CUBICLE BUS DIGITAL INPUT MODULE	SIEMENS
84	S2 A	10ICUB4	SC 10.3C	WLDGNCUB	WL CUBICLE BUS DIGITAL INPUT MODULE	SIEMENS
85	S2 A	10ICUB5	SC 10.3D	WLDGNCUB	WL CUBICLE BUS DIGITAL INPUT MODULE	SIEMENS
86	S2 A	10OCUB3	SC 10.3B	WLRLYCCUB	WL CUBICLE BUS CONFIGURABLE DIGITAL OUTPUT MODULE	SIEMENS
87	S2 A	10OCUB4	SC 10.3C	WLRLYCCUB	WL CUBICLE BUS CONFIGURABLE DIGITAL OUTPUT MODULE	SIEMENS
88	S2 A	10OCUB5	SC 10.3D	WLRLYCCUB	WL CUBICLE BUS CONFIGURABLE DIGITAL OUTPUT MODULE	SIEMENS
89	S2 A	522B/BAX	SC 06.2B	3RH11221AK60	2&2 AUX RLY 120VAC	SIEMENS
90	S2 A	522C/BAX	SC 07.3B	3RH11221AK60	2&2 AUX RLY 120VAC	SIEMENS
91	S2 A	522D/BAX	SC 08.3B	3RH11221AK60	2&2 AUX RLY 120VAC	SIEMENS
92	S2 A	ZSI-2B	SC 09.1B	WLZSIMD	ZONE INTERLOCKING MODULE	SIEMENS

00	08/15/2014	ISSUED FOR APPROVALS	DVP
01	12/15/2014	RELEASED FOR MANUFACTURING	DVP

SIEMENS S.O.#:3005067642		PRELIMINARY:	
LINE ITEM: 23000		APPROVAL: CERTIFIED: X	
CUSTOMER: JH Ham Engineering, FL.		SCALE	
GROUP: 64CC61		1 mm : 1 mm.	
CUSTOMER PROJECT: JH-Ham - Port Neal Project		DRAWN: DVP	
CUSTOMER ORDER: 15228		APPRV:	
SIEMENS Industry Inc. Grand Prairie, TX 75050		DOCUMENT NAME:	
		BILL OF MATERIALS WL SWITCHGEAR SWITCHGEAR "64CC61"	

REV 9: MKR 01/08/10

A

B

Row	Part of	Designation	Reference	Material	Description	Manufacturer
93	S2 A	ZSI-2C	SC 09.1C	WLZSIMD	ZONE INTERLOCKING MODULE	SIEMENS
94	S2 A	ZSI-2D	SC 09.1C	WLZSIMD	ZONE INTERLOCKING MODULE	SIEMENS
95	S2 A 01FU13			DFG3M	SAFETY COVER	SHAWMUT
96	S2 A 01FU13	01FU15	SC 01.4C	ATMR5	600V 5A CLASS CC FUSE	SHAWMUT
97	S2 A 03FU6			DFG3M	SAFETY COVER	SHAWMUT
98	S2 A 03FU6	03FU7	SC 03.3B	ATMR6	600V 6A CLASS CC FUSE	SHAWMUT
99	S2 A ZSI-2B	WLCBUSCABLE4		WLCBUSCABLE4	ZSI MODULE CABLE 4 FEET	SIEMENS
100	S2 A ZSI-2C	WLCBUSCABLE4		WLCBUSCABLE4	ZSI MODULE CABLE 4 FEET	SIEMENS
101	S2 A ZSI-2D	WLCBUSCABLE4		WLCBUSCABLE4	ZSI MODULE CABLE 4 FEET	SIEMENS
102	S2 B	COMS2B	SC 09.3C	6ES79720BB520XA0	PROFIBUS CONNECTOR, WITH SOCKET	SIEMENS
103	S2 C	COMS2C	SC 09.3C	6ES79720BB520XA0	PROFIBUS CONNECTOR, WITH SOCKET	SIEMENS
104	S2 D	COMS2D	SC 09.3D	6ES79720BB520XA0	PROFIBUS CONNECTOR, WITH SOCKET	SIEMENS
105	S2 DRA	DAS2B	SC 10.3C	3SB32446BA50	BLU PILOT LT 24VDC LED	SIEMENS
106	S2 DRA	DAS2C	SC 10.3C	3SB32446BA50	BLU PILOT LT 24VDC LED	SIEMENS
107	S2 DRA	DAS2D	SC 10.3D	3SB32446BA50	BLU PILOT LT 24VDC LED	SIEMENS
108	S2 DRB	06FU1	SC 06.1A	571008	DOOR MOUNT CLASS CC FUSE HOLDER	LITTLEFUSE
109	S2 DRB	06FU3	SC 06.1A	571008	DOOR MOUNT CLASS CC FUSE HOLDER	LITTLEFUSE
110	S2 DRB	06LT1	SC 06.1B	3SB32046BA40-3SB39011DF	GREEN PILOT LT LENS,SKT.LED 120VAC	SIEMENS
111	S2 DRB	06LT2	SC 06.2B	3SB32046BA20-3SB39011CF	RED PILOT LT LENS,SKT.LED 120VAC	SIEMENS
112	S2 DRB	06LT3	SC 06.2B	3SB32046BA30-3SB39011BF	YEL PILOT LT 120VAC LED	SIEMENS
113	S2 DRB	06SS1	SC 06.3A	20KD38	BREAKER CONTROL SWITCH	ELECTROSWTICH
114	S2 DRB 06FU1	06FU2	SC 06.1A	ATMR10	600V 10A CLASS CC FUSE	SHAWMUT
115	S2 DRB 06FU3	06FU4	SC 06.1A	ATMR5	600V 5A CLASS CC FUSE	SHAWMUT
116	S2 DRC	07CG1	SC 07.4C	20KD38	CONTROL BKR SWITCH	ELECTROSWTICH
117	S2 DRC	07FU1	SC 07.1A	571008	DOOR MOUNT CLASS CC FUSE HOLDER	LITTLEFUSE
118	S2 DRC	07FU3	SC 07.1A	571008	DOOR MOUNT CLASS CC FUSE HOLDER	LITTLEFUSE
119	S2 DRC	07LT1	SC 07.1B	3SB32046BA40-3SB39011DF	GRN PILOT LT 120VAC LED	SIEMENS
120	S2 DRC	07LT2	SC 07.2B	3SB32046BA20-3SB39011CF	RED PILOT LT 120VAC LED	SIEMENS
121	S2 DRC	07LT3	SC 07.3B	3SB32046BA30-3SB39011BF	YEL PILOT LT 120VAC LED	SIEMENS
122	S2 DRC 07FU1	07FU2	SC 07.1A	ATMR10	600V 10A CLASS CC FUSE	SHAWMUT
123	S2 DRC 07FU3	07FU4	SC 07.1A	ATMR5	600V 5A CLASS CC FUSE	SHAWMUT
124	S2 DRD	08CS1	SC 08.4C	20KD38	CONTROL BKR SWITCH	ELECTROSWTICH
125	S2 DRD	08FU1	SC 08.1A	571008	DOOR MOUNT CLASS CC FUSE HOLDER	LITTLEFUSE
126	S2 DRD	08FU3	SC 08.1A	571008	DOOR MOUNT CLASS CC FUSE HOLDER	LITTLEFUSE
127	S2 DRD	08LT1	SC 08.1B	3SB32046BA40-3SB39011DF	GRN PILOT LT 120VAC LED	SIEMENS
128	S2 DRD	08LT2	SC 08.2B	3SB32046BA20-3SB39011CF	RED PILOT LT 120VAC LED	SIEMENS
129	S2 DRD	08LT3	SC 08.3B	3SB32046BA30-3SB39011BF	YEL PILOT LT 120VAC LED	SIEMENS
130	S2 DRD 08FU1	08FU2	SC 08.1A	ATMR10	600V 10A CLASS CC FUSE	SHAWMUT
131	S2 DRD 08FU3	08FU4	SC 08.1A	ATMR5	600V 5A CLASS CC FUSE	SHAWMUT
132	S2 RR	01HTR7	SC 01.4D	US2-SGA1J10J02	STRIP HEATER, 240VAC, 250W	WATLOW

00	08/15/2014	ISSUED FOR APPROVALS	DVP
01	12/15/2014	RELEASED FOR MANUFACTURING	DVP

SIEMENS S.O.#:3005067642		PRELIMINARY:	
LINE ITEM: 23000		APPROVAL: X	
CUSTOMER: JH Ham Engineering,FL. GROUP: 64CC61 CUSTOMER PROJECT: JH-Ham - Port Neal Project CUSTOMER ORDER: 15228		PRODUCT TYPE WL SCALE 1 mm. : 1 mm. DRAWN: DVP APPRV:	
SIEMENS Siemens Industry Inc. Grand Prairie, TX 75050		DOCUMENT NAME: BILL OF MATERIALS WL SWITCHGEAR SWITCHGEAR "64CC61"	
DOC. NO.: LVS 15-3005067642-23000-01 BM		PAGE NO: 3	
		OF PAGES: 3	

SHIPPING GROUP ESTIMATED WEIGHT: 3350 LBS.
 HOIST AND TRACK: 400 LBS.
 TOTAL ESTIMATED WEIGHT: 3750 LBS.

- A. TRIP FUSE
- B. CLOSE FUSE
- C. BREAKER CONTROL SWITCH
- D. BREAKER OPEN
- E. BREAKER CLOSED
- F. BREAKER TRIPPED
- X. MAINTENANCE MODE SWITCH
- Y. MAINTENANCE MODE ACTIVE

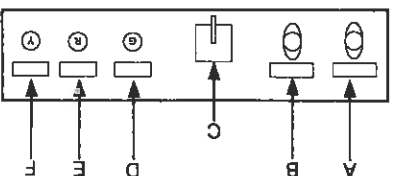


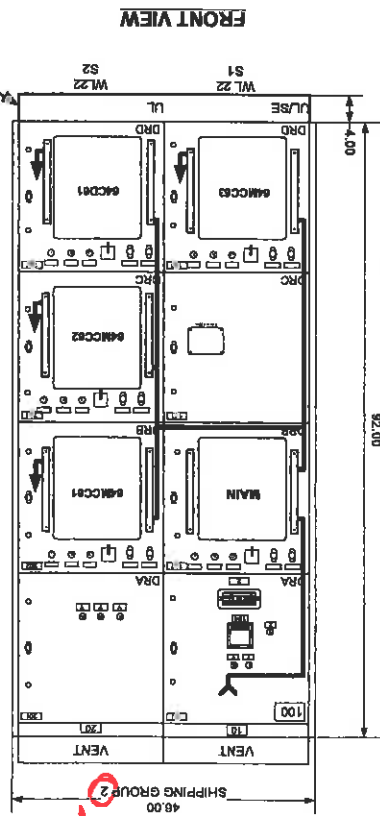
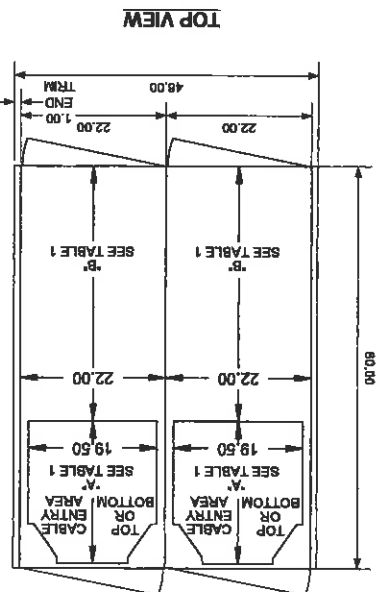
TABLE 1
 Direction of Cables A B

Section Depth	Direction of Cables	60" Non-Fused with (N, S, H or L-Class Breakers) OR 80" Fused with (F-Class Breakers)	60" Non-Fused with (N, S, H or L-Class Breakers) OR 80" Fused with (F-Class Breakers)
Below	Above	21.50 (0.25)	38.00 (0.25)
Above	Below	21.50 (0.25)	49.00 (0.25)
Below	Above	31.50 (0.25)	38.00 (0.25)
Above	Below	31.50 (0.25)	49.00 (0.25)
Below	Above	41.50 (0.25)	28.00 (0.25)
Above	Below	41.50 (0.25)	49.00 (0.25)
Below	Above	36.50 (0.25)	49.00 (0.25)

① Reduce by 7.88" if upper neutral is present with cables above or if a lower neutral is present with cables below.
 ② Reduce A by 4.00" if a 800-3200A breaker is located in the bottom compartment and increase B by 4.00".
 ③ Reduce by 17.5" if Bus Duct is present.

SHIP LOOSE SPARE PARTS

LINE ITEM#	PART NUMBER	LINE ITEM#	QTY
23020	ALT3	600V 3A CLASS J FUSE	3
	ATMR3	600V 3A CLASS CC FUSE	3



CUSTOMER SECTION NAME PLATE SCHEDULE

SECTION NUMBER	NP	NP Size	Height	Line #	Engraving
1	10	1" X 3"	0.25"	1	SECTION 1
2	20	1" X 3"	0.25"	1	SECTION 2

NOTE: NAMEPLATES ARE TO BE PLACED AT THE TOP OF EACH SECTION IN THE FRONT AND REAR AS SHOWN ABOVE IN FIGURE 1.



WARNING: TO ENSURE AGAINST ELECTRIC SHOCK OR ACCIDENT DANGER, DISCONNECT ALL SOURCES OF SUPPLY BEFORE SERVICING

SIEMENS
 Siemens Industry Inc.
 One South Point Blvd.
 Grand Prairie, TX 75050

GENERAL ARRANGEMENT
 W/L SWITCHGEAR
 SWITCHGEAR "84CCS1"

SCALE
 1 in. = 18 in.

PRODUCT TYPE
 W/L

PRELIMINARY APPROVAL:
 CERTIFIED: X

CUSTOMER:
 JH Ham Engineering, FL
 GROUP: 84CCS1
 CUSTOMER PROJECT: JH-Ham - Port Neal Project
 CUSTOMER ORDER: 15228

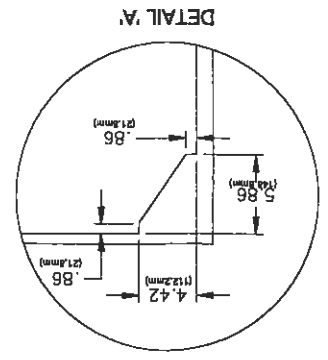
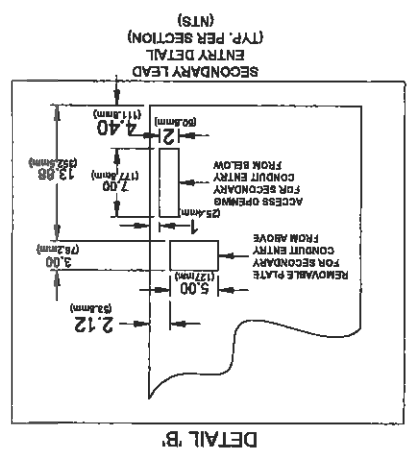
SIEMENS S.O. #: 300697842
LINE ITEM: 23000

DOC. NO.: LVS 15-300697842-23000-GA 01

RELEASED FOR MANUFACTURING
 DVP 12/18/2014

ISSUED FOR APPROVALS
 DVP 06/19/2014

A B C D



NOTE: GENERAL NOTE FOR WL ARC RESISTANT GEAR

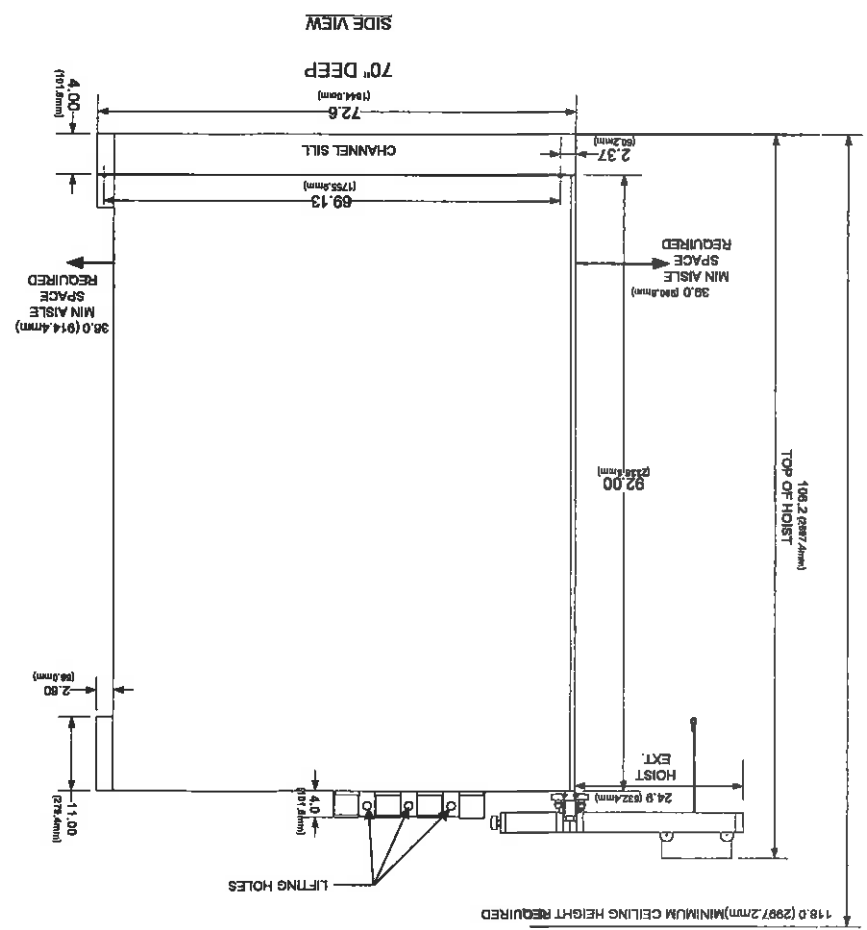
(1) Space available for cables below is reduced by 5.20 inches when a lower neutral bus is present.

(2) Space available for cables below is reduced by 4.00 if an 800-3200A breaker is located in the bottom compartment. Reductions per notes 1 & 2 are additive.

Example: cables below + lower neutral + 2000A breaker in bottom compartment = B - 9.20.

(3) 118 inches minimum room ceiling height is required for ventilation of arc products

(4) 4.10 (104mm) H W=22; 4.60 (117mm) H W=32.



WARNING: TO ENSURE AGAINST ELECTRIC SHOCK OR ACCIDENT DANGER, DISCONNECT ALL SOURCES OF SUPPLY BEFORE SERVICING

SIEMENS S.O. #: 3005067642 LINE ITEM: 23000 CUSTOMER: JH-Hem Engineering, FL GROUP: 640061 CUSTOMER PROJECT: JH-Hem - Port Neal Project CUSTOMER ORDER: 15228		PRELIMINARY APPROVAL CERTIFIED: X SCALE: 1 in. = 18 in. DRAWN: DVP APPRV:		PRODUCT TYPE: WL DOCUMENT NAME: NAMEPLATE SCHEDULE WL SWITCHGEAR SWITCHGEAR "640061" DOC. NO.: LVS 15-3005067642 - 23000 - GA 02	
ISSUED FOR APPROVALS: 08/19/2014 DVP		RELEASED FOR MANUFACTURING: 01/12/2014 DVP			

GENERAL INFORMATION:

CONSTRUCTION: INDOOR OUTD. WALKIN OUTD. NON-WALKIN DRIP PROOF

VOLTAGE: 480 V 600 V 208 V OTHER

FREQUENCY: 60 Hz 50 Hz

SYSTEM: 3 WIRE 4 WIRE 100 KA 150 KA 200 KA

BUS BRACING: 65 KA 85 KA 100 KA 150 KA 200 KA

MAIN BUS: 1600 A 2000 A 3200 A 4000 A 5000 A

NEUTRAL BUS: 1600 A 2000 A 3200 A 4000 A 5000 A

GROUND BUS: 0.25 X 3.00 IN BOTTOM TOP

BUS PLATING: SILVER TIN (ALL BUS IS COPPER)

INSULATED BUS: YES NO (NOTE: COVERS PHASE BUS ONLY)

LUGS: COMPRESSION MECHANICAL

LUGS PROV. BY: SIEMENS CUSTOMER

PAINT COLOR: ANSI 81 ANSI 70 OTHER

ELECTRICAL REQUIREMENTS:

SPACE HEATERS: HALF VOLTAGE (240 V RATED, OPERATED AT 120 V) FULL VOLTAGE (120 V RATED, OPERATED AT 240 V) FULL VOLTAGE (240 V RATED, OPERATED AT 240 V)

CONTROL: HUMIDISTAT HUMIDISTAT OPOSITE END ORIGINAL

WIRE MARKERS: 1 FT, 600 V 12 FT, 600 V SLIDING LINK

BLOCKS: PROVIDE 10 PERCENT SPARE TERMINALS FOR CUSTOMER

TERMINATIONS: RING TONGUE RING TONGUE

WIRE SIZE: PROVIDE #14 AWG SIS WIRE FOR ALL CIRCUITS EXCEPT AS NOTED PROVIDE #10 AWG SIS WIRE FOR ALL CURRENT CIRCUITS PROVIDE #10 AWG SIS WIRE FOR CONTROL POWER DISTRIBUTION

MECHANICAL REQUIREMENTS:

BARRIERS: SECTION BARRIER - BUS COMPARTMENT SECTION BARRIER - CABLE COMPARTMENT CABLE COMPARTMENT BARRIERS

SHUTTERS: AUTOMATIC SHUTTERS PROVIDED ON ALL BREAKER COMPARTMENTS AUTOMATIC SHUTTERS ONLY ON FUTURE COMPARTMENTS

SECTION DEPTH: 60" DEEP 70" DEEP 75" DEEP 80" DEEP 85" DEEP ONLY

CHANNEL SILLS: 4" CHANNEL SILLS SHIP SEPARATE SHIP ATTACHED

SEE NOTES: 65" FUSED ONLY 75" FUSED ONLY 80" FUSED ONLY

GENERAL INFORMATION:

CONSTRUCTION: INDOOR OUTD. WALKIN OUTD. NON-WALKIN DRIP PROOF

VOLTAGE: 480 V 600 V 208 V OTHER

FREQUENCY: 60 Hz 50 Hz

SYSTEM: 3 WIRE 4 WIRE 100 KA 150 KA 200 KA

BUS BRACING: 65 KA 85 KA 100 KA 150 KA 200 KA

MAIN BUS: 1600 A 2000 A 3200 A 4000 A 5000 A

NEUTRAL BUS: 1600 A 2000 A 3200 A 4000 A 5000 A

GROUND BUS: 0.25 X 3.00 IN BOTTOM TOP

BUS PLATING: SILVER TIN (ALL BUS IS COPPER)

INSULATED BUS: YES NO (NOTE: COVERS PHASE BUS ONLY)

LUGS: COMPRESSION MECHANICAL

LUGS PROV. BY: SIEMENS CUSTOMER

PAINT COLOR: ANSI 81 ANSI 70 OTHER

NOTES:

INTER-RATING: THE LOWER OF THE BUS BRACING OR THE LOWEST RATED DEVICE INSTALLED IN THE POWER CIRCUIT.

EXCEPTION: THE EQUIPMENT SHORT CIRCUIT RATING IS EQUAL TO 200 KA WHEN ALL CIRCUIT BREAKERS ARE FUSED.

INSULATION: RATED INSULATION LEVEL IS 22 KV FOR ONE MINUTE AT NORMAL FREQUENCY.

SCHEMATIC: ALL DEVICE CONTACTS ARE SHOWN WITH THE DEVICE DE-ENERGIZED, OPEN, OR IN THE RESET CONDITION.

WIRING DIAGRAM: ALL CUSTOMER CONNECTIONS ARE SHOWN WITH DASHED LINES. REFER TO GA SHEET FOR ACTUAL DIMENSION.

EQUIPMENT DEPTH: REFER TO GA SHEET FOR ACTUAL DIMENSION.

CIRCUIT BREAKERS: SEE OL FOR BREAKER SCHEDULE

FEATURES: (FEEDERS) TRIP UNIT COVER ZSI

FEATURES: (MAINT) TRIP UNIT COVER ZSI

ACCESSORIES: WLTs (PORTABLE ETU TEST UNIT) WESTINGHOUSE/ABB RELAY TEST PLUGS MOBILE BREAKER DOLLY WITH/WHOIST BREAKER TRANSFER TRUCK BREAKER HOIST LIFTING CAPACITY 350LB PORTABLE GROUND DETECTOR: 50107G08 G/BASLER RELAY TEST PLUGS TEST CABINET - PART NUMBER: 12-B-9433-01 DRIP PROOF HOOD (REMOVED FOR SHIPMENT, ATTACHED IN THE FIELD)

NOTE: REQUEST TOUCHUP PAINT FROM THE NEAREST SIEMENS SALES OFFICE. TOUCHUP PAINT IS PROVIDED IN AEROSOL CANS WHICH CANNOT BE SHIPPED IN THE ACCESSORY CRATE DUE TO TRUCKING SAFETY REGULATIONS.

WL CIRCUIT BREAKER INTERNALS:

WL MOC AND TOC CONFIGURATIONS

WARNING: TO ENSURE AGAINST ELECTRIC SHOCK OR ACCIDENT DANGER, DISCONNECT ALL SOURCES OF SUPPLY BEFORE SERVICING TO CUSTOMER REQUIREMENT.

1) ALL SHIPPING SPILT TB'S ARE PLUS.

2) CUSTOMER SPARE TERMINALS PROVIDED ON SOME OUTPUT TB'S AS REQUIRED.

3) ALL DOOR DEVICE WIRING SHALL BE WRAPPED IN THE WRAP OR FLEXIBLE TUBING.

4) SWGR IS ARC RESISTANT TYPE-2B.

5) SHOCK INDICATORS PROVIDED QTY: 1 PER SHIPPING GROUP.

6) RBRD DEVICE SUPPLIED UNDER ITEM 22000

7) SECTION BUS UPSIZED TO 4000A INSTEAD OF 3200A BREAKER DUE TO CUSTOMER REQUIREMENT.

8) ALL SHIPPING SPILT TB'S ARE PLUS.

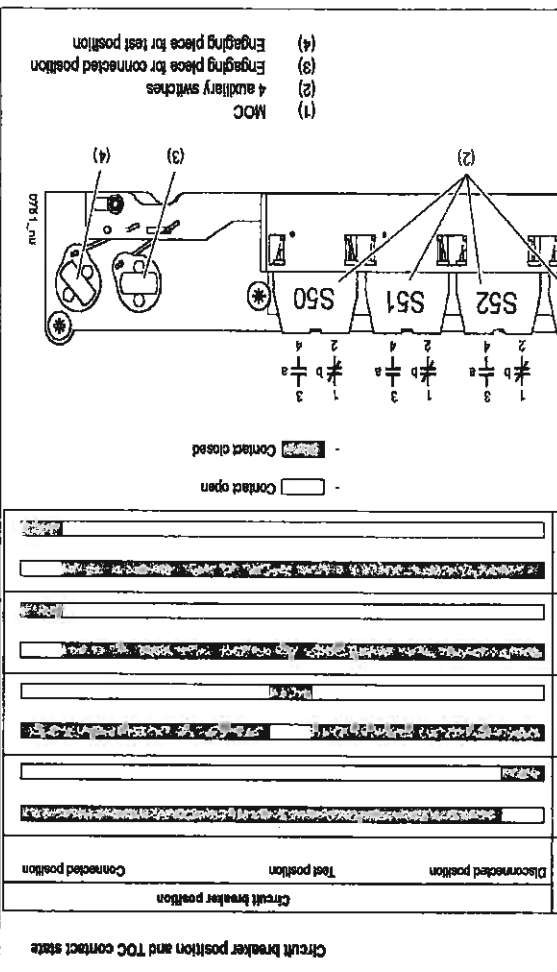
9) ALL DOOR DEVICE WIRING SHALL BE WRAPPED IN THE WRAP OR FLEXIBLE TUBING.

10) SWGR IS ARC RESISTANT TYPE-2B.

11) SHOCK INDICATORS PROVIDED QTY: 1 PER SHIPPING GROUP.

12) RBRD DEVICE SUPPLIED UNDER ITEM 22000

13) SECTION BUS UPSIZED TO 4000A INSTEAD OF 3200A BREAKER DUE TO CUSTOMER REQUIREMENT.



DETAILED DEVICE LEGEND:

CC	CLOSING COIL (SPRING RELEASE)
TS	SHUNT TRIP COIL
MC	SPRING CHARGING MOTOR
MCS	MOTOR CUTOFF SWITCH
Y	CLOSING RELAY (LANT-PUMPING)
Y	ALX SWITCH, CLOSED WHEN BREAKER CLOSED
Y	ALX SWITCH, OPERATES ONLY WHEN BREAKER TRIPS DUE TO PROTECTIVE
BA	BREAKER TRIPS DUE TO PROTECTIVE
ETU	ELECTRONIC TRIP UNIT
UV	UNDERVOLTAGE TRIP DEVICE
CSC	BREAKER CONTROL SWITCH CLOSE
CST	BREAKER CONTROL SWITCH TRIP
CLF	CURRENT LIMITING FUSE
CT	CURRENT TRANSFORMER
VT	VOLTAGE TRANSFORMER
CPT	CONTROL POWER TRANSFORMER
TS	TEST SWITCH
TS	TEST BLOCK
NS	NEUTRAL SENSOR
SCTB	SHORTING TERMINAL BLOCK
AM	AMMETER
AS	AMMETER SWITCH
VM	VOLTMETER
VS	VOLTMETER SWITCH

COMPONENT IDENTIFICATION:

Section Number: A2

Device ID: S1

Location: RX 25

ANSI Code: CR1

Device Pin Number: 15228

SIEMENS

Siemens Industry Inc.
General Information
Switchgear '94C091'

DOC. NO.: LVS 15-3005067942 - 23000-01 01

APPRV: DVP

DRAWN: DVP

SCALE: 1 mm : 1 mm

PRODUCT TYPE: WL

PRELIMINARY APPROVAL: X

LINE ITEM: 23000

SIEMENS S.O. #: 3005067942

CUSTOMER: JH-Ham Engineering, FL

GROUP: 94C091

CUSTOMER PROJECT: JH-Ham - Port Neal Project

CUSTOMER ORDER: 15228

ISSUED FOR APPROVALS: 01 12/12/04 DVP


RELEASED FOR MANUFACTURING: 01 12/12/04 DVP

A

B

NAME PLATE SCHEDULE

ITEM	SECTION	NP SIZE	TEXT HEIGHT	Text Line 1	Text Line 2	Text Line 3
100	1DRA	3X6"	0.5"	SWITCHGEAR "64CC61"	3PH, 3W, 1600A, 480V, 85KAIC	PO #: 15228
101	1DRA	1.5" X 3"	0.25"	AUXILIARY	COMPARTMENT	
102	1DRB	1.5" X 3"	0.25"	64CC61	MAIN BREAKER-A	3200AF 3000AT
103	1DRC	1.5" X 3"	0.25"	TVSS	COMPARTMENT	
104	1DRD	1.5" X 3"	0.25"	64MCC63	MCC 64MCC63	800AF 600AT
105	1DRA	1.5" X 3"	0.25"	POWER METER	PAC 4200	PMI
201	2DRA	1.5" X 3"	0.25"	AUXILIARY	COMPARTMENT	
202	2DRC	1.5" X 3"	0.25"	64MCC61	MCC 64MCC61	1600AF 1600AT
203	2DRD	1.5" X 3"	0.25"	64MCC62	MCC 64MCC62	1600AF 1600AT
301	3DRA	1.5" X 3"	0.25"	64CD61	PANEL 64CD61	800AF 300AT
A		3.29" X 0.75"	0.25"	TRIP FUSE	10A	
B	ALL	3.29" X 0.75"	0.25"	CLOSE FUSE	5A	
D	BREAKER	1.63" X 0.75"	0.25"	OPEN		
E	DOORS	1.63" X 0.75"	0.25"	CLOSED		
F		1.63" X 0.75"	0.25"	TRIP		
X	1DRA	1.63" X 0.75"	0.25"	DAS	MAINTENANCE	SWITCH
Y	1DRA	1.63" X 0.75"	0.25"	DAS	64CC61	
	1DRA	1.63" X 0.75"	0.25"	DAS	64MCC63	
	2DRA	1.63" X 0.75"	0.25"	DAS	64MCC61	
	2DRA	1.63" X 0.75"	0.25"	DAS	64MCC62	
	2DRA	1.63" X 0.75"	0.25"	DAS	64CD61	
Z	1DRA	1.63" X 0.75"	0.25"	CURRENT TRANSFORMER	TEST SWITCH	

01	12/15/2014	RELEASED FOR MANUFACTURING	DVP
00	08/15/2014	ISSUED FOR APPROVALS	DVP
SIEMENS S. O.#: 3005067642		PRELIMINARY:	APPROVAL:
LINE ITEM: 23000		CERTIFIED: X	
CUSTOMER: JH Ham Engineering, FL.		PRODUCT TYPE WL	
GROUP: 64CC61		SCALE 1 mm. : 1 mm.	
CUSTOMER PROJECT: JH-Ham - Port Neal Project		DRAWN: DVP	
CUSTOMER ORDER: 15228		APPRV:	
		DOCUMENT NAME:	
		NAMEPLATE SCHEDULE	
		WL SWITCHGEAR	
		SWITCHGEAR "64CC61"	
		 Siemens Industry Inc. Grand Prairie, TX 75050	

REV 10: JB 08/08/11

A

B

DOC. NO.: LVS 15-3005067642-23000-01 NP

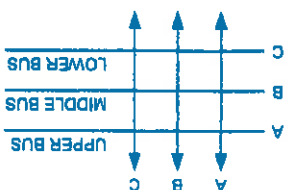
PAGE NO: 1
OF PAGES: 1

2

2

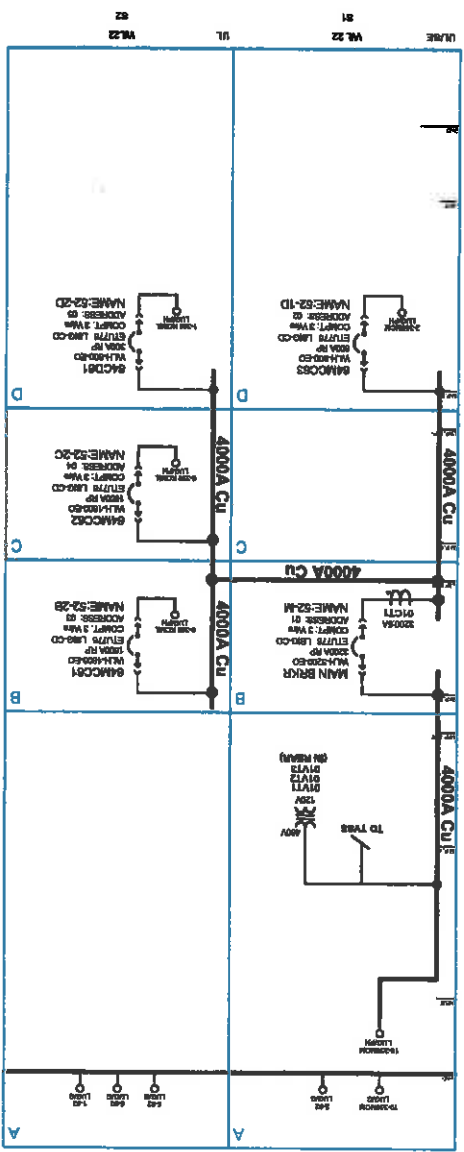
LEGEND:
 SEC: SECTION #+COMPT
 INTPT CLASS: INTERRUPTING CLASS
 L: LONG TIME
 S: SHORT TIME
 INSTANTANEOUS
 G: GROUND FAULT
 GF: GROUND FAULT TYPE
 COMM: COMMUNICATION TYPE
 MFG+: METERING PLUS FUNCTION
 AUX SWTCH: AUXILIARY CONTACTS
 BA: BELL ALARM
 RTG: READY TO CLOSE
 MOC: MECHANISM OPERATION CONTACTS
 TOC: TRUCK OPERATION CONTACTS

THE PHASE SEQUENCE INDICATED ON ELECTRICAL CONNECTION DIAGRAMS IS SUCH THAT THE PHASE - TO - NEUTRAL VOLTAGES WITH RESPECT TO THE TIME WILL REACH MAXIMUM VALUE IN THE SEQUENCE DESIGNATED A,B,C
 FOR DETAILS V1, CPT, CT, ETC, SEE SCHEMATIC DIAGRAM



RATED INSULATION LEVEL IS 2.2KV FOR ONE MINUTE AT NORMAL FREQUENCY.
 THE EQUIPMENT SHORT TIME / SHORT CIRCUIT RATING IS EQUAL TO THE LOWER OF THE BUS BRACING OR THE LOWEST RATED DEVICE INSTALLED IN THE POWER CIRCUIT.

SEC	BREAKER CAT#	CRABLE CAT#	FRAME CAT#	FRAME RATING	INTPT CLASS	TRIP UNIT	L	S	I	G	GF	COMM	MFG+	LCD DISPLAY	MOTOR OPERATOR	AUX SWITCH	BA	RT	RCO	SHUTTERS	HEATER	MOC	TOC		
1B	HZA332WYGXCYCN	GHB332K3XF9XMHN	2	3,200	3,000	H	ETU776	Yes	Yes	Yes	Yes	Yes	Yes	Alarm + trip	PROFIBUS	None	Graphical	W/o C/o Sw Ich	4NO + 4NC	Yes	120VAC	120VAC	Yes	TestCon	3C-2T-1D
1D	HZA308KYGXCXCYCN	GHB308K3XF9XMHN	2	600	600	H	ETU776	Yes	Yes	Yes	Yes	Yes	Alarm + trip	PROFIBUS	None	Graphical	W/o C/o Sw Ich	4NO + 4NC	Yes	120VAC	120VAC	Yes	TestCon	3C-2T-1D	
2B	HZA316TYGXCXCYCN	GHB316K3XF9XMHN	2	1,600	1,600	H	ETU776	Yes	Yes	Yes	Yes	Yes	Alarm + trip	PROFIBUS	None	Graphical	W/o C/o Sw Ich	4NO + 4NC	Yes	120VAC	120VAC	Yes	TestCon	3C-2T-1D	
2C	HZA316TYGXCXCYCN	GHB316K3XF9XMHN	2	1,600	1,600	H	ETU776	Yes	Yes	Yes	Yes	Yes	Alarm + trip	PROFIBUS	None	Graphical	W/o C/o Sw Ich	4NO + 4NC	Yes	120VAC	120VAC	Yes	TestCon	3C-2T-1D	
2D	HZA308DYGXCXCYCN	GHB308K3XF9XMHN	2	800	800	H	ETU776	Yes	Yes	Yes	Yes	Yes	Alarm + trip	PROFIBUS	None	Graphical	W/o C/o Sw Ich	4NO + 4NC	Yes	120VAC	120VAC	Yes	TestCon	3C-2T-1D	



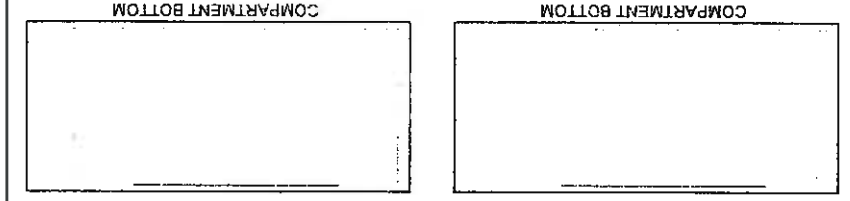
WARNING: TO ENSURE AGAINST ELECTRIC SHOCK OR ACCIDENT DANGER DISCONNECT ALL SOURCES OF SUPPLY BEFORE SERVICING

SIEMENS S.O. # 3005097942 LINE ITEM: 23000 CUSTOMER: JH Ham Engineering, FL GROUP: 6A0C81 CUSTOMER PROJECT: JH-Ham - Port Neal Project CUSTOMER ORDER: 18228	PRELIMINARY APPROVAL: CERTIFIED: X	PRODUCT TYPE: WL SCALE: 1 mm.: 1 mm. DRAWN: DVP APPRV:	DOCUMENT NAME: SINGLE LINE WL SWITCHGEAR SWITCHGEAR '6A0C81'
---	---------------------------------------	---	---

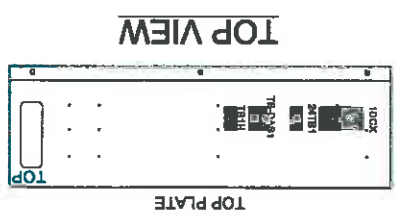
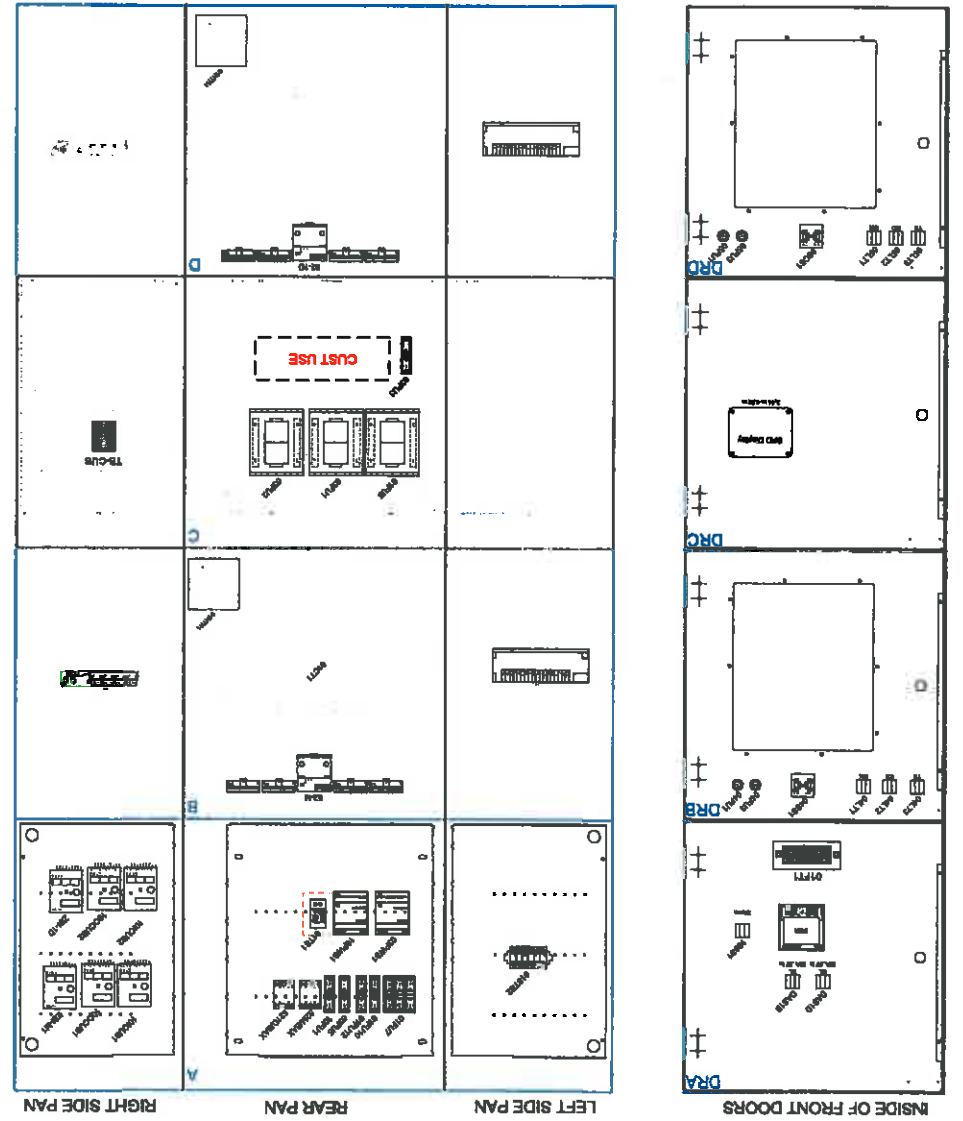
DOC. NO.: LVS 15-3005097942-23000-01.01

SIEMENS
 Siemens Industry Inc.
 Grand Prairie, TX 75050

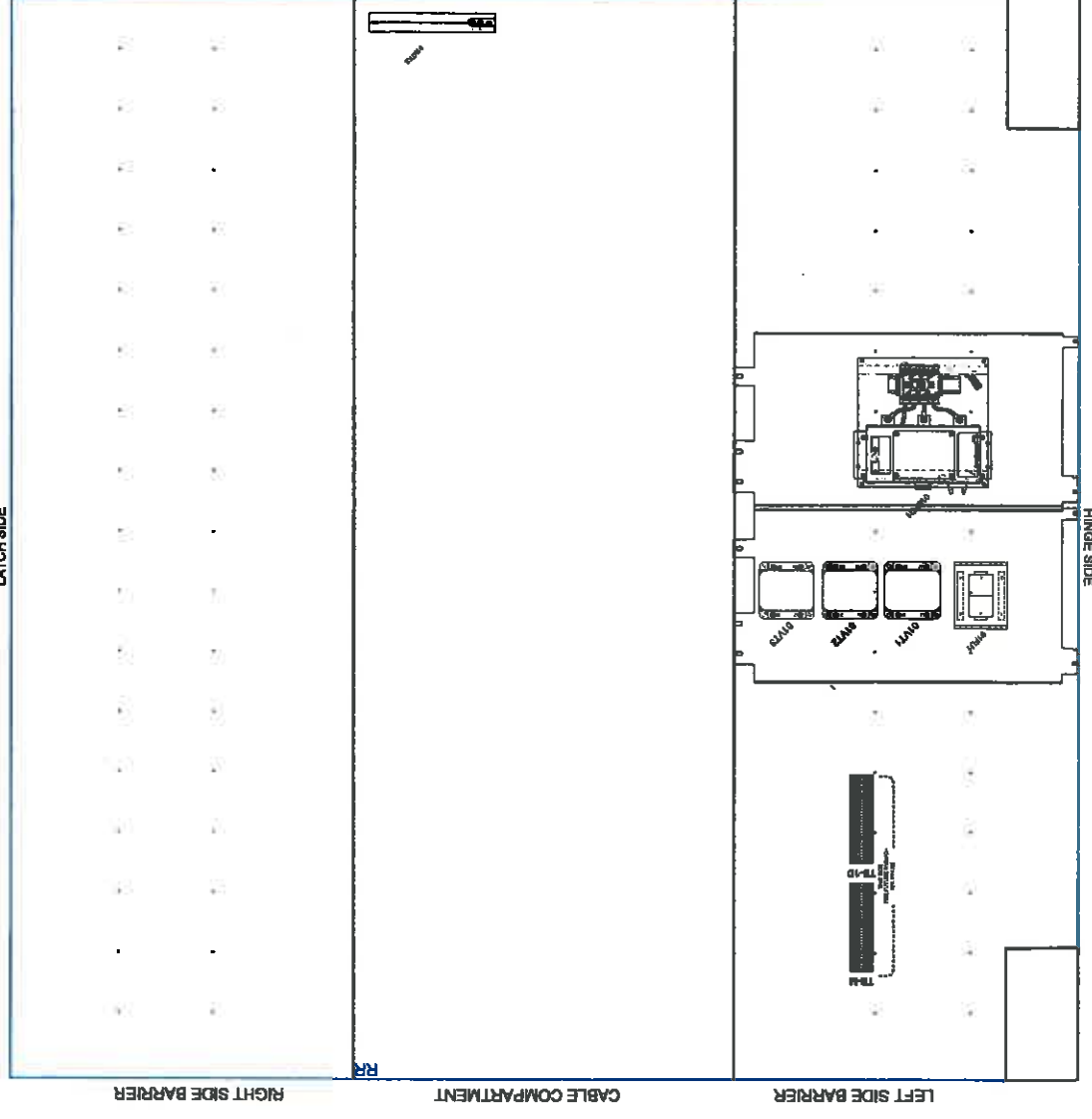
01 12/25/09 DVP
 02 12/25/09 DVP
 03 12/25/09 DVP
 04 12/25/09 DVP
 05 12/25/09 DVP
 06 12/25/09 DVP
 07 12/25/09 DVP
 08 12/25/09 DVP
 09 12/25/09 DVP
 10 12/25/09 DVP
 11 12/25/09 DVP
 12 12/25/09 DVP
 13 12/25/09 DVP
 14 12/25/09 DVP
 15 12/25/09 DVP
 16 12/25/09 DVP
 17 12/25/09 DVP
 18 12/25/09 DVP
 19 12/25/09 DVP
 20 12/25/09 DVP
 21 12/25/09 DVP
 22 12/25/09 DVP
 23 12/25/09 DVP
 24 12/25/09 DVP
 25 12/25/09 DVP
 26 12/25/09 DVP
 27 12/25/09 DVP
 28 12/25/09 DVP
 29 12/25/09 DVP
 30 12/25/09 DVP
 31 12/25/09 DVP
 32 12/25/09 DVP
 33 12/25/09 DVP
 34 12/25/09 DVP
 35 12/25/09 DVP
 36 12/25/09 DVP
 37 12/25/09 DVP
 38 12/25/09 DVP
 39 12/25/09 DVP
 40 12/25/09 DVP
 41 12/25/09 DVP
 42 12/25/09 DVP
 43 12/25/09 DVP
 44 12/25/09 DVP
 45 12/25/09 DVP
 46 12/25/09 DVP
 47 12/25/09 DVP
 48 12/25/09 DVP
 49 12/25/09 DVP
 50 12/25/09 DVP
 51 12/25/09 DVP
 52 12/25/09 DVP
 53 12/25/09 DVP
 54 12/25/09 DVP
 55 12/25/09 DVP
 56 12/25/09 DVP
 57 12/25/09 DVP
 58 12/25/09 DVP
 59 12/25/09 DVP
 60 12/25/09 DVP
 61 12/25/09 DVP
 62 12/25/09 DVP
 63 12/25/09 DVP
 64 12/25/09 DVP
 65 12/25/09 DVP
 66 12/25/09 DVP
 67 12/25/09 DVP
 68 12/25/09 DVP
 69 12/25/09 DVP
 70 12/25/09 DVP
 71 12/25/09 DVP
 72 12/25/09 DVP
 73 12/25/09 DVP
 74 12/25/09 DVP
 75 12/25/09 DVP
 76 12/25/09 DVP
 77 12/25/09 DVP
 78 12/25/09 DVP
 79 12/25/09 DVP
 80 12/25/09 DVP
 81 12/25/09 DVP
 82 12/25/09 DVP
 83 12/25/09 DVP
 84 12/25/09 DVP
 85 12/25/09 DVP
 86 12/25/09 DVP
 87 12/25/09 DVP
 88 12/25/09 DVP
 89 12/25/09 DVP
 90 12/25/09 DVP
 91 12/25/09 DVP
 92 12/25/09 DVP
 93 12/25/09 DVP
 94 12/25/09 DVP
 95 12/25/09 DVP
 96 12/25/09 DVP
 97 12/25/09 DVP
 98 12/25/09 DVP
 99 12/25/09 DVP
 100 12/25/09 DVP



FRONT VIEW OF 22" WIDE SECTION



REAR VIEW OF 22" WIDE SECTION
(As viewed from rear of section)



3018 H01V1
WARNING: TO ENSURE AGAINST ELECTRIC SHOCK OR ACCIDENT DANGER, DISCONNECT ALL SOURCES OF SUPPLY BEFORE SERVICING

SIEMENS
 Siemens Industry Inc.
 Grand Prairie, TX 75050

PHYSICAL ARRANGEMENT SECTION # 1 SWITCHGEAR 8ACCB1*

DOC. NO.: LVS 15-3008067642 - PA 01

APPRV: DVP

SCALE: 1 in. = 10 in.

PRODUCT TYPE: WL

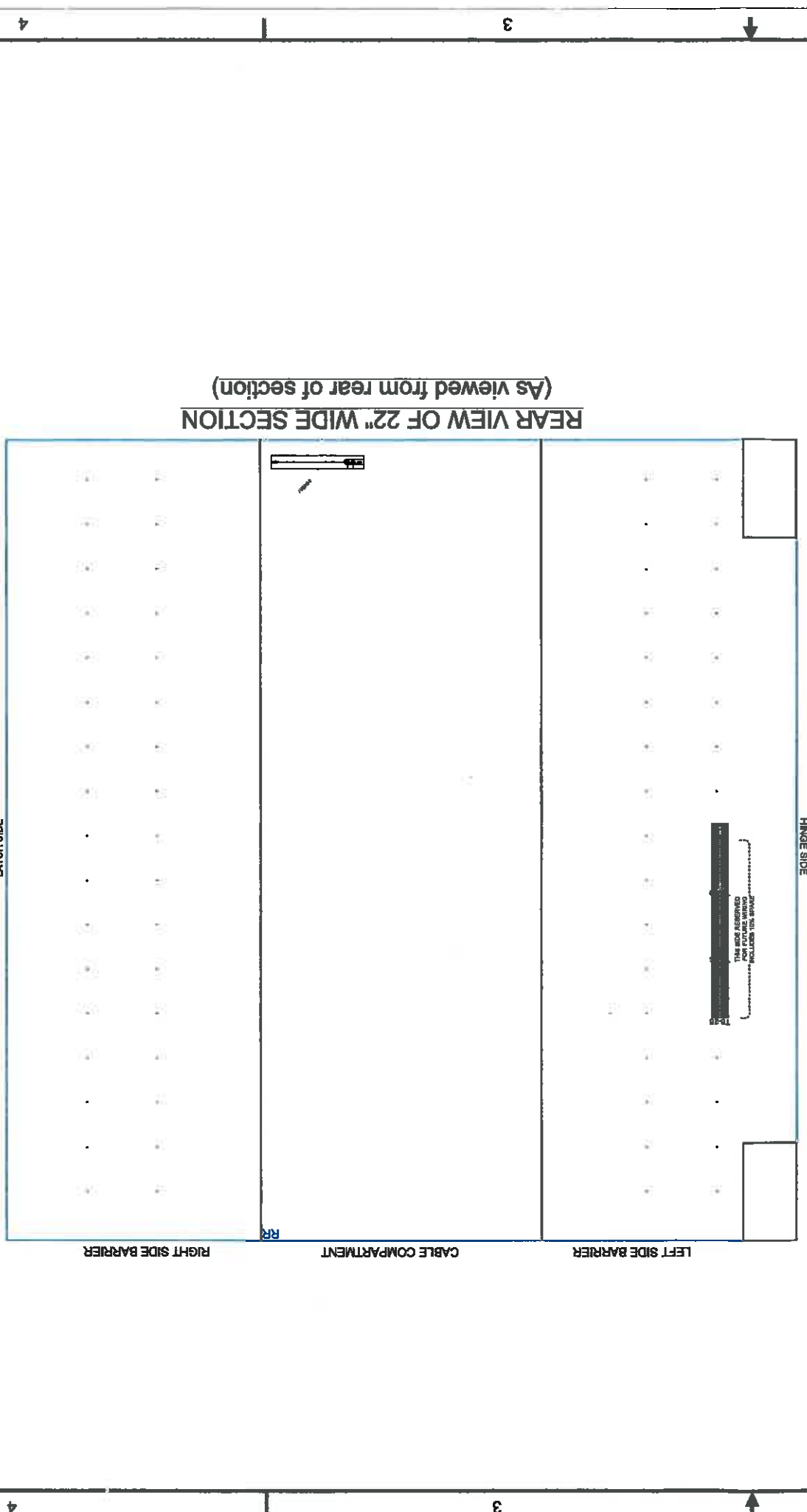
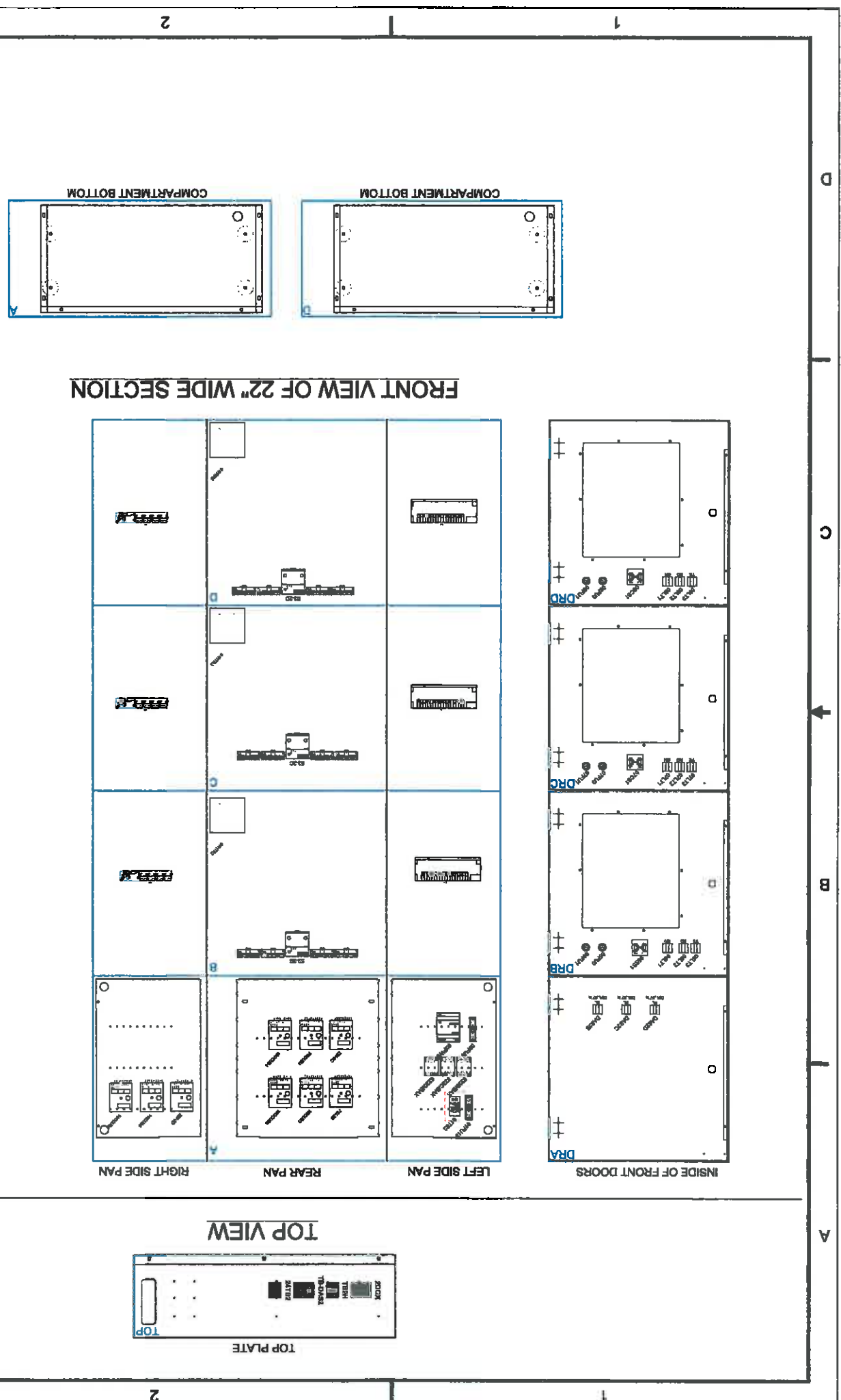
PRELIMINARY: APPROVAL: CERTIFIED: X

SIEMENS S.O. #: 3008067642
 LINE ITEM: 23000
 CUSTOMER: JH Ham Engineering, FL
 GROUP: 64CC61
 CUSTOMER PROJECT: JH-Ham - Port Neal Project
 CUSTOMER ORDER: 16228

RELEASED FOR MANUFACTURING

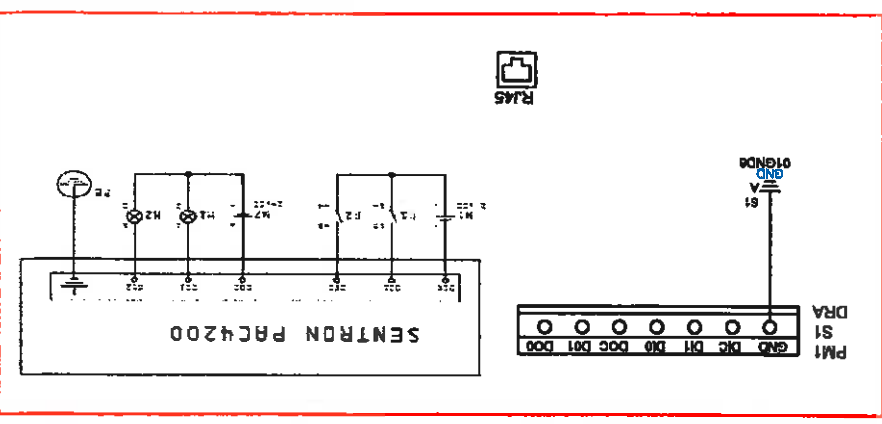
1 2 3 4

A B C D

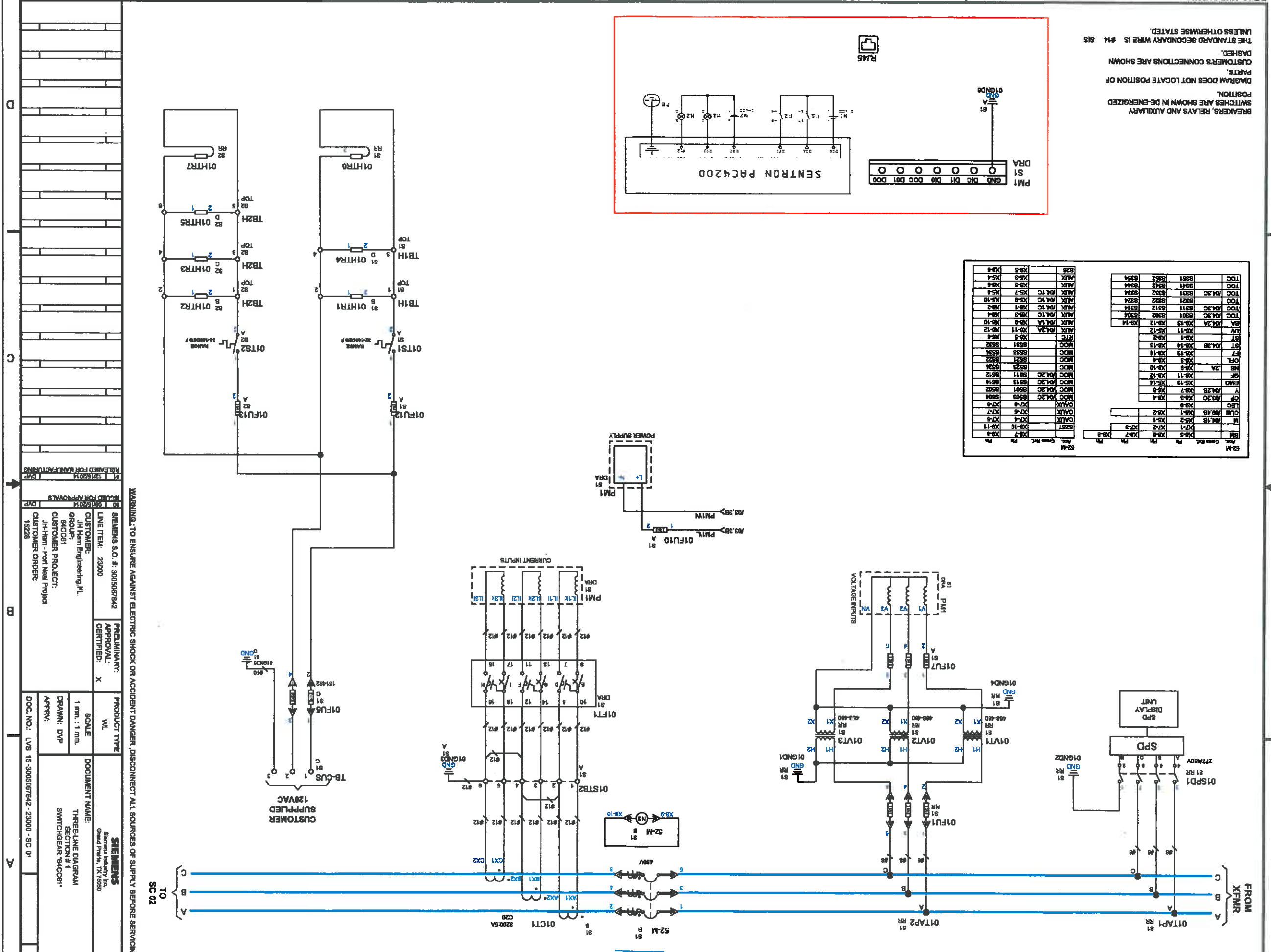


SIEMENS S.O. #: 3009067642 LINE ITEM: 23000 CUSTOMER: JH Ham Engineering, FL. GROUP: 64CC61 CUSTOMER PROJECT: JH-Ham - Fort Neal Project CUSTOMER ORDER: 18228		PRELIMINARY: X APPROVAL: CERTIFIED: X SCALE: 1 in. : 10 in. DRAWN: DVP APPRV:		PRODUCT TYPE: VL DOCUMENT NAME: PHYSICAL ARRANGEMENT SECTION # 2 SWITCHGEAR '64CC61' DOC. NO.: LVB 15-3009067642 - PA_02	
SIEMENS Siemens Industry Inc. One Rock Hill Place, TX 75080					
WARNING: TO ENSURE AGAINST ELECTRIC SHOCK OR ACCIDENT DANGER, DISCONNECT ALL SOURCES OF SUPPLY BEFORE SERVICING					
RELEASED FOR MANUFACTURING DATE: 12/15/2014 BY: DVP					
RELEASED FOR APPROVALS DATE: 12/15/2014 BY: DVP					

DIAGRAM DOES NOT LOCATE POSITION OF PARTS.
 SWITCHES ARE SHOWN IN DE-ENERGIZED POSITION.
 BREAKERS, RELAYS AND AUXILIARY CUSTOMER'S CONNECTIONS ARE SHOWN DASHED.
 THE STANDARD SECONDARY WIRE IS #14 SIS UNLESS OTHERWISE STATED.



52-M	App.	Issued Ref.	Rev.	Ph.
BM		X8-6	X8-7	X8-8
M		X7-1	X7-2	X7-3
M		X7-4	X7-5	X7-6
M		X7-7	X7-8	X7-9
M		X7-10	X7-11	X7-12
LEO		X8-1	X8-2	X8-3
LEO		X8-4	X8-5	X8-6
CF		X8-7	X8-8	X8-9
A		X8-10	X8-11	X8-12
EMO		X5-13	X5-14	X5-15
GF		X8-16	X8-17	X8-18
NR	2A	X8-19	X8-20	X8-21
OF		X8-22	X8-23	X8-24
MOC		X8-25	X8-26	X8-27
MOC		X8-28	X8-29	X8-30
RTG		X8-31	X8-32	X8-33
AUX	ML2A	X8-34	X8-35	X8-36
AUX	ML2A	X8-37	X8-38	X8-39
AUX	ML2A	X8-40	X8-41	X8-42
AUX	ML2A	X8-43	X8-44	X8-45
AUX	ML2A	X8-46	X8-47	X8-48
AUX	ML2A	X8-49	X8-50	X8-51
AUX	ML2A	X8-52	X8-53	X8-54
AUX	ML2A	X8-55	X8-56	X8-57
AUX	ML2A	X8-58	X8-59	X8-60
AUX	ML2A	X8-61	X8-62	X8-63
AUX	ML2A	X8-64	X8-65	X8-66
AUX	ML2A	X8-67	X8-68	X8-69
AUX	ML2A	X8-70	X8-71	X8-72
AUX	ML2A	X8-73	X8-74	X8-75
AUX	ML2A	X8-76	X8-77	X8-78
AUX	ML2A	X8-79	X8-80	X8-81
AUX	ML2A	X8-82	X8-83	X8-84
AUX	ML2A	X8-85	X8-86	X8-87
AUX	ML2A	X8-88	X8-89	X8-90
AUX	ML2A	X8-91	X8-92	X8-93
AUX	ML2A	X8-94	X8-95	X8-96
AUX	ML2A	X8-97	X8-98	X8-99
AUX	ML2A	X8-100	X8-101	X8-102



WARNING: TO ENSURE AGAINST ELECTRIC SHOCK OR ACCIDENT DANGER, DISCONNECT ALL SOURCES OF SUPPLY BEFORE SERVICING

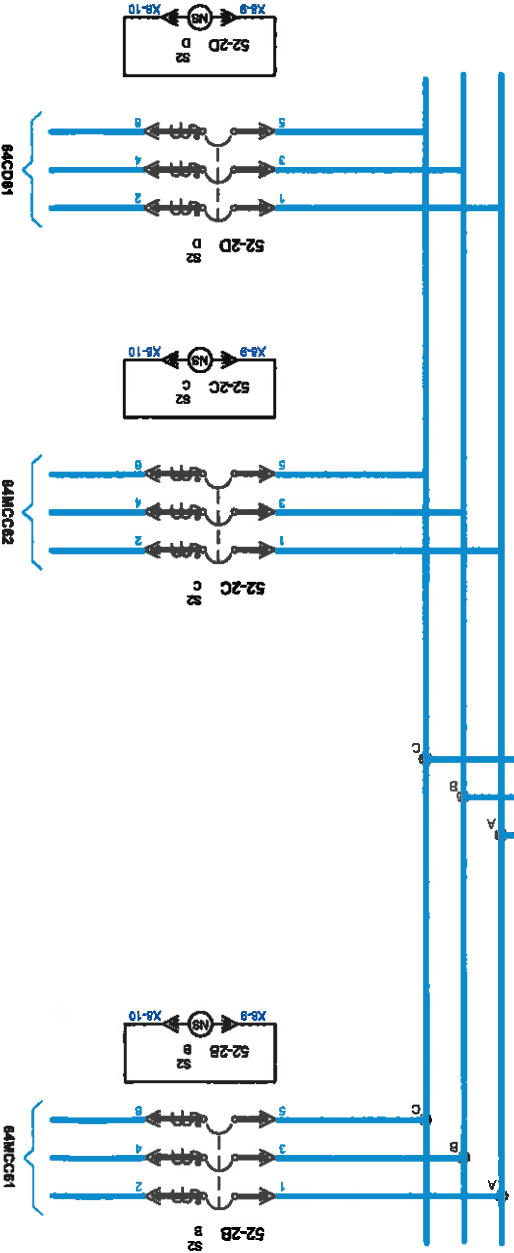
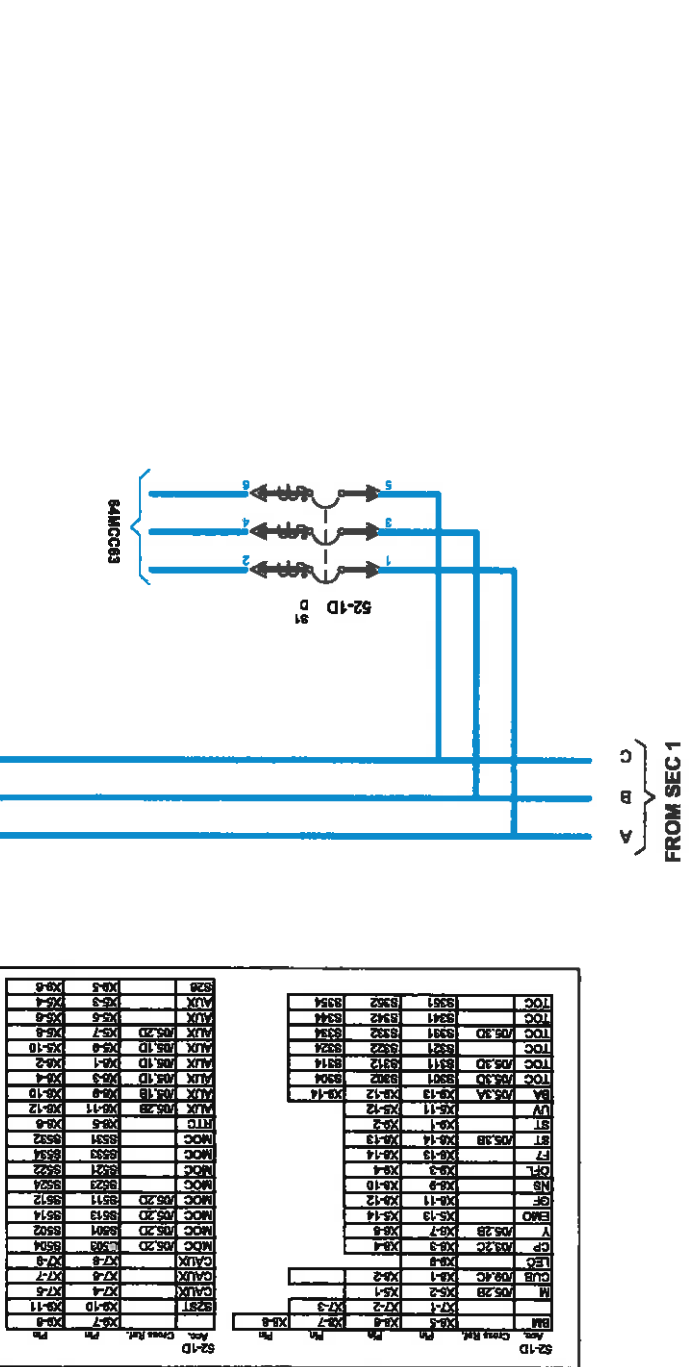
SIEMENS S.O. #: 300507642	PRELIMINARY:	PRODUCT TYPE:	SCALE:	DOCUMENT NAME:
LINE ITEM: 23000	CERTIFIED: X	VLT	1 mm, 1 mm.	THREE-LINE DIAGRAM SECTION # 1 SWITCHGEAR 'SACSB'
CUSTOMER: Siemens Engineering, FL			DRAWN: DVP	
GROUP: JH-Heim - Port Neal Project			APPRV:	
PROJECT: JH-Heim - Port Neal Project				
CUSTOMER ORDER: 18228				

DOC. NO.: LVS 15-300507642-23000 - SC 01

REV	DATE	DESCRIPTION
01	12/18/2010	RELEASED FOR MANUFACTURING
02	01/08/2010	ISSUED FOR APPROVALS
03	01/08/2010	ISSUED FOR APPROVALS

SIEMENS
 Siemens Industry, Inc.
 Grand Prairie, TX 75050

BREAKERS, RELAYS AND AUXILIARY SWITCHES ARE SHOWN IN DE-ENERGIZED POSITION.
DIAGRAM DOES NOT LOCATE POSITION OF PARTS.
CUSTOMER'S CONNECTIONS ARE SHOWN DASHED.
UNLESS OTHERWISE STATED.



SECTION-1 & 2

Part No.	Description
BM	KS-8 KS-7 KS-6
BT	KS-1 KS-2
BT	KS-11 KS-12 KS-13 KS-14
BT	KS-18 KS-19 KS-20
BT	KS-21 KS-22 KS-23 KS-24
BT	KS-25 KS-26 KS-27 KS-28
BT	KS-29 KS-30 KS-31 KS-32
BT	KS-33 KS-34 KS-35 KS-36
BT	KS-37 KS-38 KS-39 KS-40
BT	KS-41 KS-42 KS-43 KS-44
BT	KS-45 KS-46 KS-47 KS-48
BT	KS-49 KS-50 KS-51 KS-52
BT	KS-53 KS-54 KS-55 KS-56
BT	KS-57 KS-58 KS-59 KS-60
BT	KS-61 KS-62 KS-63 KS-64
BT	KS-65 KS-66 KS-67 KS-68
BT	KS-69 KS-70 KS-71 KS-72
BT	KS-73 KS-74 KS-75 KS-76
BT	KS-77 KS-78 KS-79 KS-80
BT	KS-81 KS-82 KS-83 KS-84
BT	KS-85 KS-86 KS-87 KS-88
BT	KS-89 KS-90 KS-91 KS-92
BT	KS-93 KS-94 KS-95 KS-96
BT	KS-97 KS-98 KS-99 KS-100
BT	KS-101 KS-102 KS-103 KS-104
BT	KS-105 KS-106 KS-107 KS-108
BT	KS-109 KS-110 KS-111 KS-112
BT	KS-113 KS-114 KS-115 KS-116
BT	KS-117 KS-118 KS-119 KS-120
BT	KS-121 KS-122 KS-123 KS-124
BT	KS-125 KS-126 KS-127 KS-128
BT	KS-129 KS-130 KS-131 KS-132
BT	KS-133 KS-134 KS-135 KS-136
BT	KS-137 KS-138 KS-139 KS-140
BT	KS-141 KS-142 KS-143 KS-144
BT	KS-145 KS-146 KS-147 KS-148
BT	KS-149 KS-150 KS-151 KS-152
BT	KS-153 KS-154 KS-155 KS-156
BT	KS-157 KS-158 KS-159 KS-160
BT	KS-161 KS-162 KS-163 KS-164
BT	KS-165 KS-166 KS-167 KS-168
BT	KS-169 KS-170 KS-171 KS-172
BT	KS-173 KS-174 KS-175 KS-176
BT	KS-177 KS-178 KS-179 KS-180
BT	KS-181 KS-182 KS-183 KS-184
BT	KS-185 KS-186 KS-187 KS-188
BT	KS-189 KS-190 KS-191 KS-192
BT	KS-193 KS-194 KS-195 KS-196
BT	KS-197 KS-198 KS-199 KS-200

Part No.	Description
BM	KS-8 KS-7 KS-6
BT	KS-1 KS-2
BT	KS-11 KS-12 KS-13 KS-14
BT	KS-18 KS-19 KS-20
BT	KS-21 KS-22 KS-23 KS-24
BT	KS-25 KS-26 KS-27 KS-28
BT	KS-29 KS-30 KS-31 KS-32
BT	KS-33 KS-34 KS-35 KS-36
BT	KS-37 KS-38 KS-39 KS-40
BT	KS-41 KS-42 KS-43 KS-44
BT	KS-45 KS-46 KS-47 KS-48
BT	KS-49 KS-50 KS-51 KS-52
BT	KS-53 KS-54 KS-55 KS-56
BT	KS-57 KS-58 KS-59 KS-60
BT	KS-61 KS-62 KS-63 KS-64
BT	KS-65 KS-66 KS-67 KS-68
BT	KS-69 KS-70 KS-71 KS-72
BT	KS-73 KS-74 KS-75 KS-76
BT	KS-77 KS-78 KS-79 KS-80
BT	KS-81 KS-82 KS-83 KS-84
BT	KS-85 KS-86 KS-87 KS-88
BT	KS-89 KS-90 KS-91 KS-92
BT	KS-93 KS-94 KS-95 KS-96
BT	KS-97 KS-98 KS-99 KS-100
BT	KS-101 KS-102 KS-103 KS-104
BT	KS-105 KS-106 KS-107 KS-108
BT	KS-109 KS-110 KS-111 KS-112
BT	KS-113 KS-114 KS-115 KS-116
BT	KS-117 KS-118 KS-119 KS-120
BT	KS-121 KS-122 KS-123 KS-124
BT	KS-125 KS-126 KS-127 KS-128
BT	KS-129 KS-130 KS-131 KS-132
BT	KS-133 KS-134 KS-135 KS-136
BT	KS-137 KS-138 KS-139 KS-140
BT	KS-141 KS-142 KS-143 KS-144
BT	KS-145 KS-146 KS-147 KS-148
BT	KS-149 KS-150 KS-151 KS-152
BT	KS-153 KS-154 KS-155 KS-156
BT	KS-157 KS-158 KS-159 KS-160
BT	KS-161 KS-162 KS-163 KS-164
BT	KS-165 KS-166 KS-167 KS-168
BT	KS-169 KS-170 KS-171 KS-172
BT	KS-173 KS-174 KS-175 KS-176
BT	KS-177 KS-178 KS-179 KS-180
BT	KS-181 KS-182 KS-183 KS-184
BT	KS-185 KS-186 KS-187 KS-188
BT	KS-189 KS-190 KS-191 KS-192
BT	KS-193 KS-194 KS-195 KS-196
BT	KS-197 KS-198 KS-199 KS-200

Part No.	Description
BM	KS-8 KS-7 KS-6
BT	KS-1 KS-2
BT	KS-11 KS-12 KS-13 KS-14
BT	KS-18 KS-19 KS-20
BT	KS-21 KS-22 KS-23 KS-24
BT	KS-25 KS-26 KS-27 KS-28
BT	KS-29 KS-30 KS-31 KS-32
BT	KS-33 KS-34 KS-35 KS-36
BT	KS-37 KS-38 KS-39 KS-40
BT	KS-41 KS-42 KS-43 KS-44
BT	KS-45 KS-46 KS-47 KS-48
BT	KS-49 KS-50 KS-51 KS-52
BT	KS-53 KS-54 KS-55 KS-56
BT	KS-57 KS-58 KS-59 KS-60
BT	KS-61 KS-62 KS-63 KS-64
BT	KS-65 KS-66 KS-67 KS-68
BT	KS-69 KS-70 KS-71 KS-72
BT	KS-73 KS-74 KS-75 KS-76
BT	KS-77 KS-78 KS-79 KS-80
BT	KS-81 KS-82 KS-83 KS-84
BT	KS-85 KS-86 KS-87 KS-88
BT	KS-89 KS-90 KS-91 KS-92
BT	KS-93 KS-94 KS-95 KS-96
BT	KS-97 KS-98 KS-99 KS-100
BT	KS-101 KS-102 KS-103 KS-104
BT	KS-105 KS-106 KS-107 KS-108
BT	KS-109 KS-110 KS-111 KS-112
BT	KS-113 KS-114 KS-115 KS-116
BT	KS-117 KS-118 KS-119 KS-120
BT	KS-121 KS-122 KS-123 KS-124
BT	KS-125 KS-126 KS-127 KS-128
BT	KS-129 KS-130 KS-131 KS-132
BT	KS-133 KS-134 KS-135 KS-136
BT	KS-137 KS-138 KS-139 KS-140
BT	KS-141 KS-142 KS-143 KS-144
BT	KS-145 KS-146 KS-147 KS-148
BT	KS-149 KS-150 KS-151 KS-152
BT	KS-153 KS-154 KS-155 KS-156
BT	KS-157 KS-158 KS-159 KS-160
BT	KS-161 KS-162 KS-163 KS-164
BT	KS-165 KS-166 KS-167 KS-168
BT	KS-169 KS-170 KS-171 KS-172
BT	KS-173 KS-174 KS-175 KS-176
BT	KS-177 KS-178 KS-179 KS-180
BT	KS-181 KS-182 KS-183 KS-184
BT	KS-185 KS-186 KS-187 KS-188
BT	KS-189 KS-190 KS-191 KS-192
BT	KS-193 KS-194 KS-195 KS-196
BT	KS-197 KS-198 KS-199 KS-200

WARNING: TO ENSURE AGAINST ELECTRIC SHOCK OR ACCIDENT DANGER, DISCONNECT ALL SOURCES OF SUPPLY BEFORE SERVICING

APPROVAL: [Signature] DATE: 12/25/04

PRELIMINARY: X

SCALE: 1 mm = .1 mm

DOCUMENT NAME: THREE-LINE DIAGRAM SECTION # 1,2 SWITCHGEAR '04CC81'

DRAWN: DVP

APPROV: [Signature]

DOC. NO.: LVS 15-3005097642 - 23000 - SC 02

SUBMITTED TO: Siemens Grid Products, 177990

Customer: JH Ham Engineering, FL

Group: 04CC81

Customer Project: JH-Ham - Port Neal Project

Customer Order: 15228

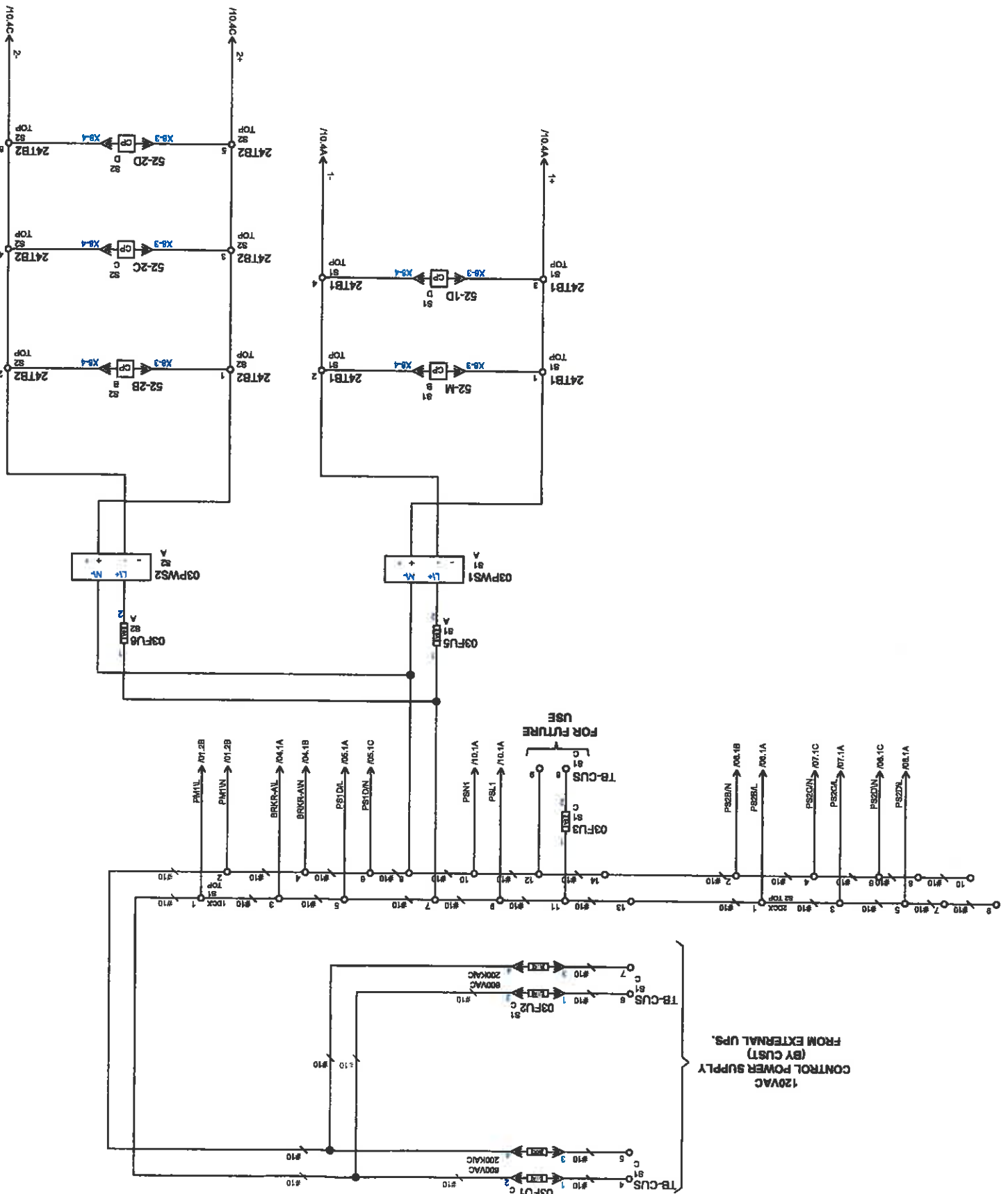
Released for manufacturing: DVP 12/25/04

BREAKERS, RELAYS AND AUXILIARY SWITCHES ARE SHOWN IN DE-ENERGIZED POSITION.

PARTS.

DIAGRAM DOES NOT LOCATE POSITION OF CUSTOMER'S CONNECTIONS ARE SHOWN DASHED.

UNLESS OTHERWISE STATED, THE STANDARD SECONDARY WIRE IS #14 SIS

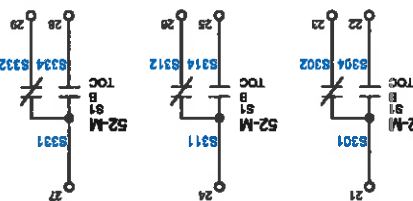
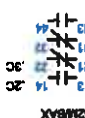
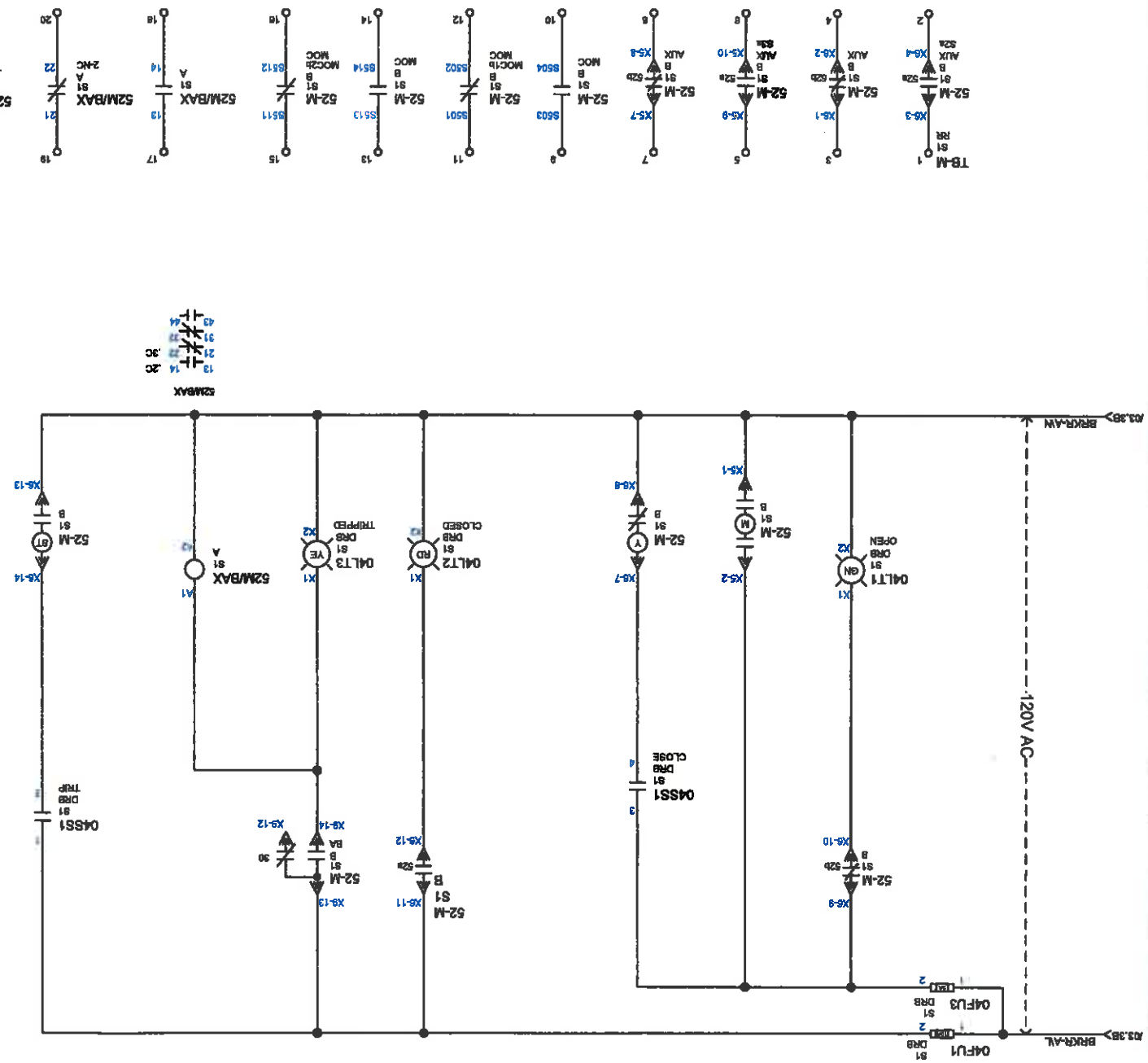


120VAC AND 24VDC CONTROL POWER DIST CIRCUIT

WARNING: TO ENSURE AGAINST ELECTRIC SHOCK OR ACCIDENT DANGER DISCONNECT ALL SOURCES OF SUPPLY BEFORE SERVICING

CUSTOMER: JH-Ham - Port Nod Project CUSTOMER PROJECT: JH-Ham - Port Nod Project CUSTOMER ORDER: 18228		PRELIMINARY: APPROVAL: CERTIFIED: X		SCALE: 1 mm : 1 mm, DRAWN: DVP APPRV:		DOCUMENT NAME: SCHEMATIC DIAGRAM CUSTOMER SUPPLIED 120VAC DISTRIBUTION CIRCUIT SWITCHGEAR "RACCB1"	
SIEMENS S. O. #: 3005087642 LINE ITEM: 23000		PRODUCT TYPE: W/L		SIEMENS Siemens Industry Inc. Green Plains, TX 75050		DOC. NO.: LVS 15 - 3005087642 - 23000 - SC 03	
DVP 12/19/2014 RELEASED FOR MANUFACTURING		DVP 01/15/2014 ISSUED FOR APPROVALS		DVP 01/15/2014 ISSUED FOR APPROVALS		DVP 01/15/2014 ISSUED FOR APPROVALS	

BREAKERS, RELAYS AND AUXILIARY SWITCHES ARE SHOWN IN DE-ENERGIZED POSITION.
DIAGRAM DOES NOT LOCATE POSITION OF PARTS.
CUSTOMER'S CONNECTIONS ARE SHOWN DASHED.
UNLESS OTHERWISE STATED, THE STANDARD SECONDARY WIRE IS #14 SIS



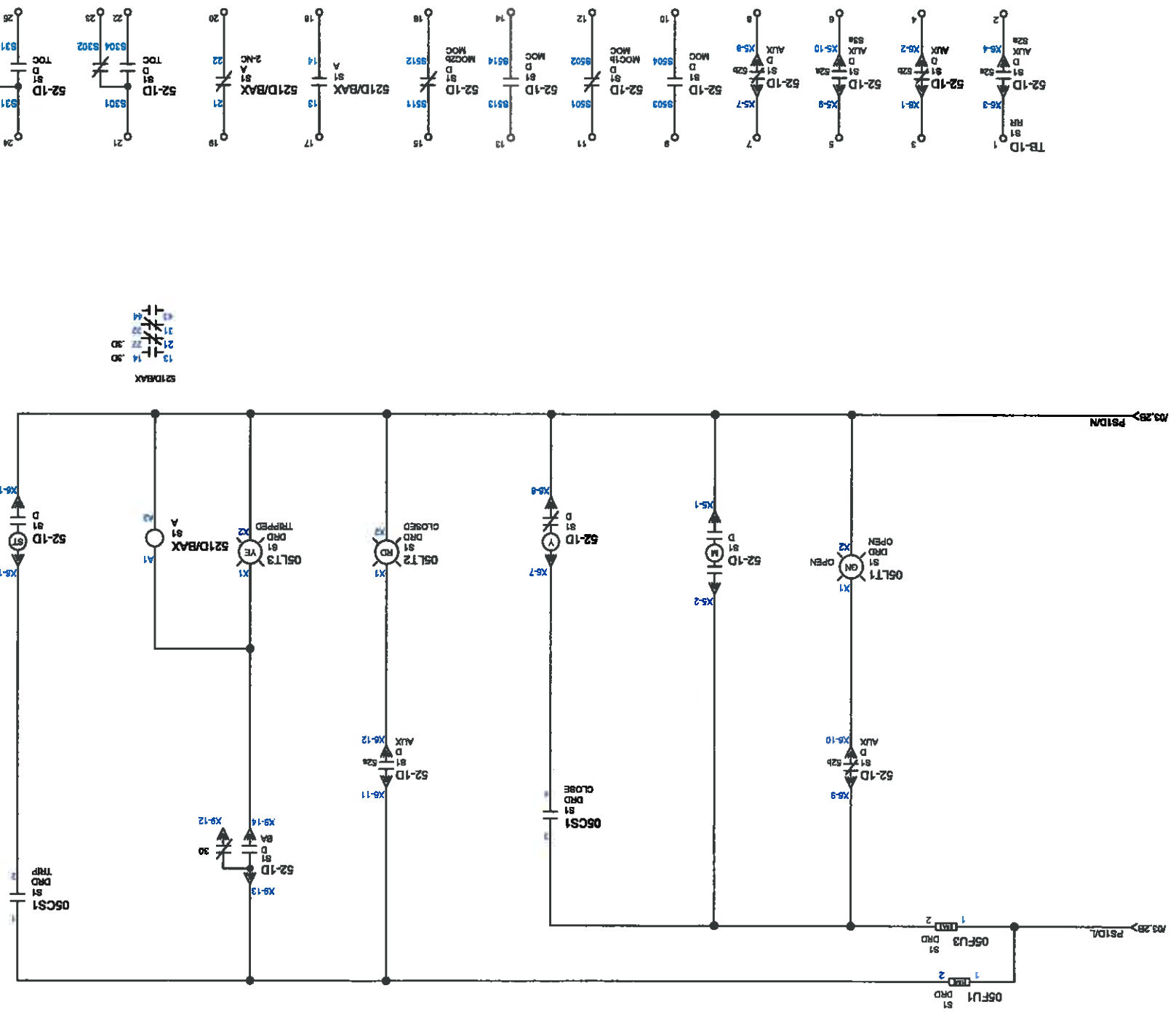
CHECK	CONTACTS		OPERATING POSITION
	HANDLE END	TRIP END	
1-2	1-1	X1	TRIP
1-3	1-2	X2	TRIP
1-4	1-3	X3	TRIP
1-5	1-4	X4	TRIP
1-6	1-5	X5	TRIP
1-7	1-6	X6	TRIP
1-8	1-7	X7	TRIP
1-9	1-8	X8	TRIP
1-10	1-9	X9	TRIP
1-11	1-10	X10	TRIP
1-12	1-11	X11	TRIP
1-13	1-12	X12	TRIP

O4SS1
S1
D1B

WARNING: TO ENSURE AGAINST ELECTRIC SHOCK OR ACCIDENT DANGER DISCONNECT ALL SOURCES OF SUPPLY BEFORE SERVICING

SIEMENS Siemens Industry Inc. One Madison Ave., TX 75000	
DOCUMENT NAME: BREAKER CONTROL CIRCUIT - SECTION #1	
SCALE: 1 in. = 4 mm. DRAWN: DVP APPRV:	PRODUCT TYPE: WL
PRELIMINARY: APPROVAL: CERTIFIED: X	
LINE ITEM: 23000	
CUSTOMER: JH Heim Engineering, FL	
GROUP: 640061	
CUSTOMER PROJECT: JH-Heim - Port Neal Project	
CUSTOMER ORDER: 15228	
DOC. NO.: LVS 15-3005067642 - 23000 - SC 04	

BREAKERS, RELAYS AND AUXILIARY SWITCHES ARE SHOWN IN DE-ENERGIZED POSITION.
DIAGRAM DOES NOT LOCATE POSITION OF PARTS.
CUSTOMER'S CONNECTIONS ARE SHOWN DASHED.
THE STANDARD SECONDARY WIRE IS #14 SIS UNLESS OTHERWISE STATED.



TRIP	TRIP	TRIP	TRIP	TRIP	TRIP	TRIP	TRIP	TRIP	TRIP
1	2	3	4	5	6	7	8	9	10
11	12	13	14	15	16	17	18	19	20
21	22	23	24	25	26	27	28	29	30

52-1D FEEDER BREAKER CONTROL SCHEMATIC

WARNING: TO ENSURE AGAINST ELECTRIC SHOCK OR ACCIDENT DANGER, DISCONNECT ALL SOURCES OF SUPPLY BEFORE SERVICING

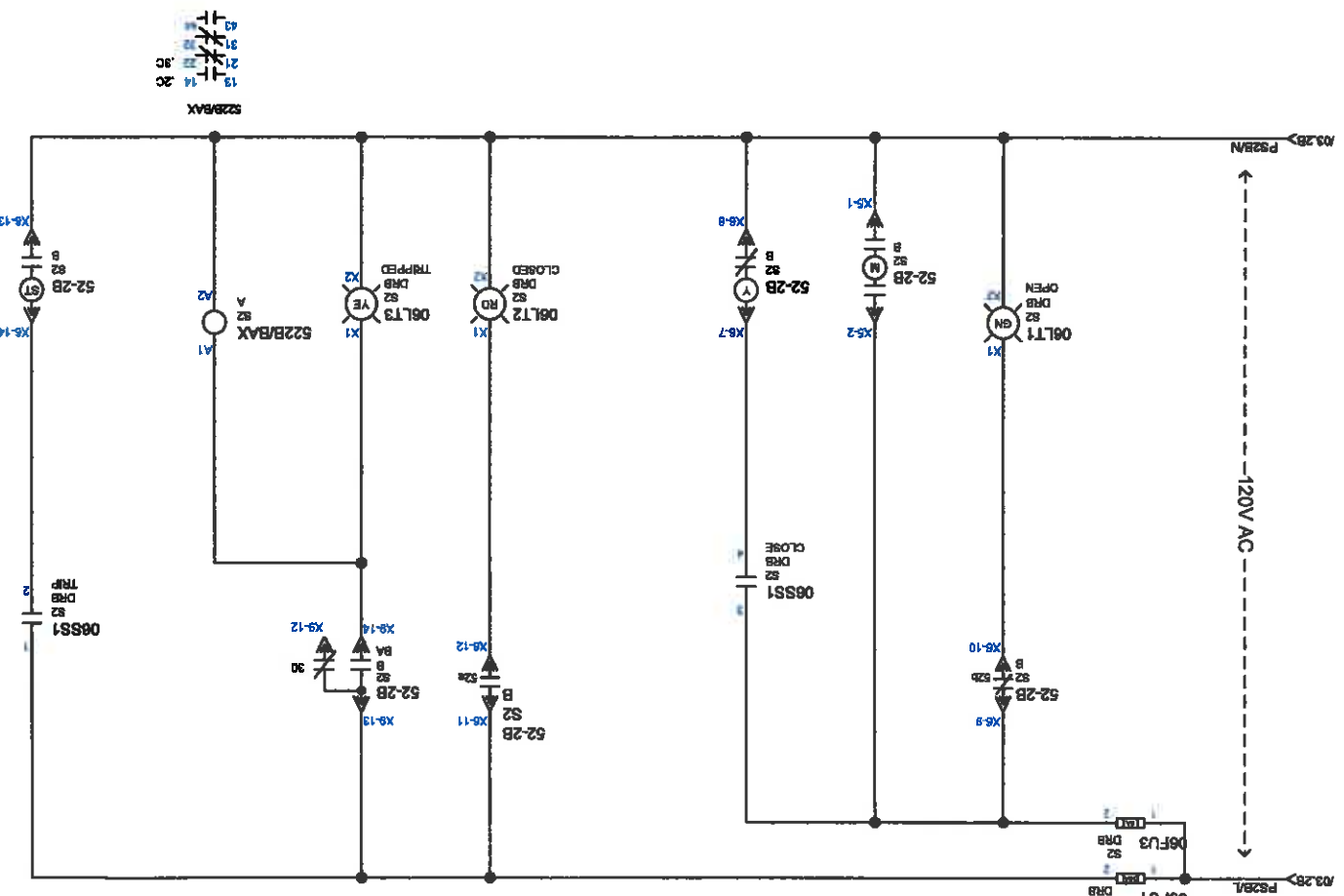
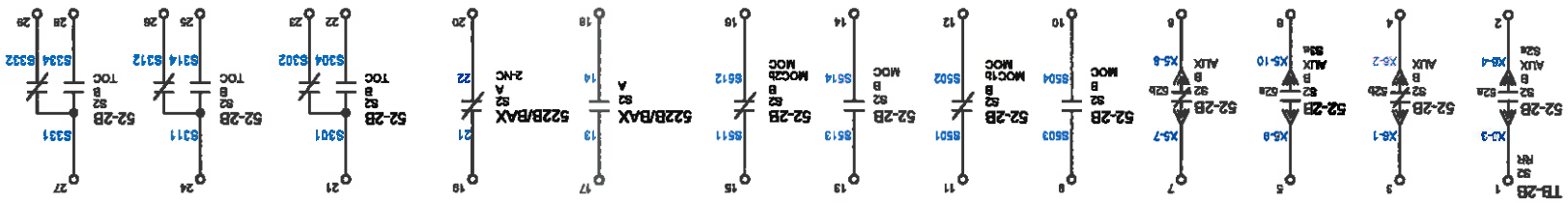
<p>SIEMENS S.O. # 3005067942 LINE ITEM: 23000</p> <p>CUSTOMER: JH-Ham - Port Neal Prod CUSTOMER PROJECT: JH-Ham - Port Neal Prod CUSTOMER ORDER: 15228</p>	<p>PRELIMINARY: APPROVAL: X</p> <p>SCALE: 1 mm.: 1 mm. DRAWN: DVP APPRV:</p>	<p>PRODUCT TYPE: VIL</p> <p>DOCUMENT NAME: SCHEMATIC DIAGRAM BREAKER CONTROL CIRCUIT-SECTION #2 SWITCHGEAR "P4CC81"</p>
--	--	---

DOC. NO.: LVS 15-3005067942-23000-SC 05

SIEMENS
Siemens Industry Inc.
Grand Prairie, TX 75050

05CS1 TRIP DRD S1
05F1 S1 DRD S1
05F3 S1 DRD S1
05F4 S1 DRD S1
05F5 S1 DRD S1
05F6 S1 DRD S1
05F7 S1 DRD S1
05F8 S1 DRD S1
05F9 S1 DRD S1
05F10 S1 DRD S1
05F11 S1 DRD S1
05F12 S1 DRD S1
05F13 S1 DRD S1
05F14 S1 DRD S1
05F15 S1 DRD S1
05F16 S1 DRD S1
05F17 S1 DRD S1
05F18 S1 DRD S1
05F19 S1 DRD S1
05F20 S1 DRD S1
05F21 S1 DRD S1
05F22 S1 DRD S1
05F23 S1 DRD S1
05F24 S1 DRD S1
05F25 S1 DRD S1
05F26 S1 DRD S1
05F27 S1 DRD S1
05F28 S1 DRD S1
05F29 S1 DRD S1
05F30 S1 DRD S1

BREAKERS, RELAYS AND AUXILIARY SWITCHES ARE SHOWN IN DE-ENERGIZED POSITION. DIAGRAM DOES NOT LOCATE POSITION OF PARTS. CUSTOMERS CONNECTIONS ARE SHOWN DASHED. UNLESS OTHERWISE STATED, THE STANDARD SECONDARY WIRE IS #14 SIS



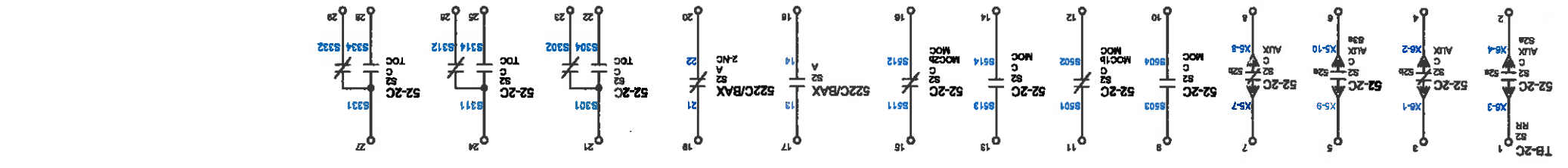
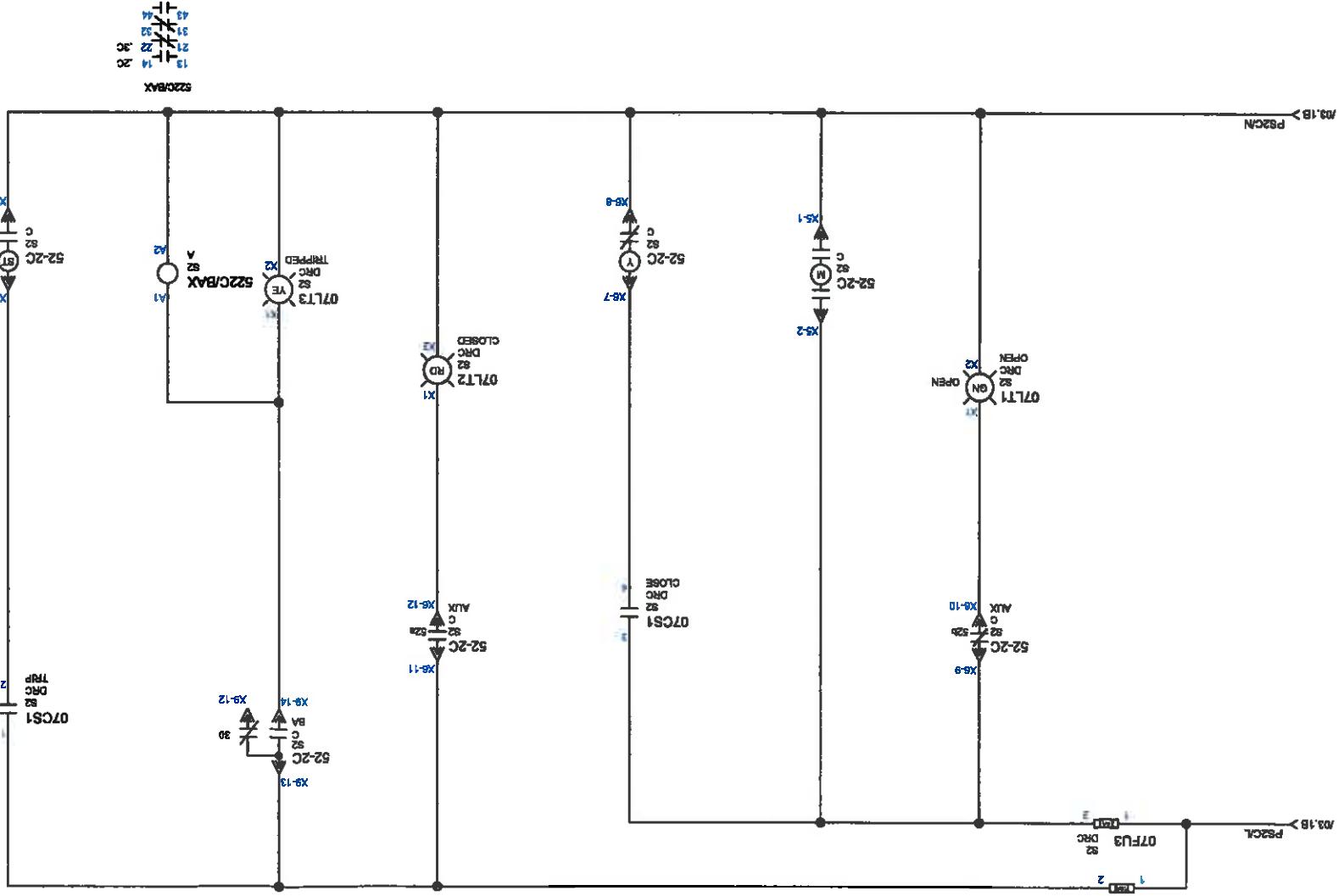
52-2B FEEDER BREAKER CONTROL CIRCUIT

CONTRACTS	DESIGN	REVISION	DATE	BY	CHKD

WARNING: TO ENSURE AGAINST ELECTRIC SHOCK OR ACCIDENT DANGER, DISCONNECT ALL SOURCES OF SUPPLY BEFORE SERVICING

SIEMENS S.O. #: 300507942 LINE ITEM: 29000 CUSTOMER: JH Ham Engineering, FL GROUP: 64CC81 CUSTOMER PROJECT: JH-Ham - Port Neal Project CUSTOMER ORDER: 15228		PRELIMINARY: APPROVAL: X SCALE: 1 mm.: 1 mm. DRAWN: DVP APPRV:		PRODUCT TYPE: VIL DOCUMENT NAME: SCHEMATIC DIAGRAM BREAKER CONTROL CIRCUIT-SECTION #1 SWITCHGEAR "64CC81"	
SIEMENS Industry Inc. Grand Prairie, TX 75050		DDC, INC.: LVS 13-300507942-29000-SC 06			

52-2C FEEDER BREAKER CONTROL SCHEMATIC



NO.	WIRE NO.	DESCRIPTION
1	2	07FU1 DRC S2
2	1	07FU3 DRC S2
3	1	07CS1 DRC
4	2	07CS1 DRC
5	1	07CS1 DRC
6	2	07CS1 DRC
7	1	07CS1 DRC
8	2	07CS1 DRC
9	1	07CS1 DRC
10	2	07CS1 DRC
11	1	07CS1 DRC
12	2	07CS1 DRC
13	1	07CS1 DRC
14	2	07CS1 DRC
15	1	07CS1 DRC
16	2	07CS1 DRC
17	1	07CS1 DRC
18	2	07CS1 DRC
19	1	07CS1 DRC
20	2	07CS1 DRC
21	1	07CS1 DRC
22	2	07CS1 DRC
23	1	07CS1 DRC
24	2	07CS1 DRC
25	1	07CS1 DRC
26	2	07CS1 DRC
27	1	07CS1 DRC
28	2	07CS1 DRC
29	1	07CS1 DRC

WARNING: TO ENSURE AGAINST ELECTRIC SHOCK OR ACCIDENT DANGER, DISCONNECT ALL SOURCES OF SUPPLY BEFORE SERVICING

SIEMENS
Siemens Industry Inc.
Grand Prairie, TX 75050

PRODUCT TYPE: VIL
SCALE: 1 mm : 1 mm
DRAWN: DVP
APPROV: [Signature]

DOCUMENT NAME:
BREAKER CONTROL CIRCUIT- SECTION #2
SWITCHGEAR "940081"

DDOC NO.: LVS 15-3005087942-23000-SC 07

PRELIMINARY: APPROVAL: X
CERTIFIED: X

SIEMENS S.C. #: 3005087942
LINE ITEM: 23000
CUSTOMER: J-Ham Engineering, FL
GROUP: 6400C81
CUSTOMER PROJECT: JH-Ham - Fort Neal Project
CUSTOMER ORDER: 16228

RELEASING MANUFACTURING: 01 12/19/2014
DVP

REQUIRED FOR APPROVALS: 02 02/19/2014
DVP

REV 9: MKR 01/08/10

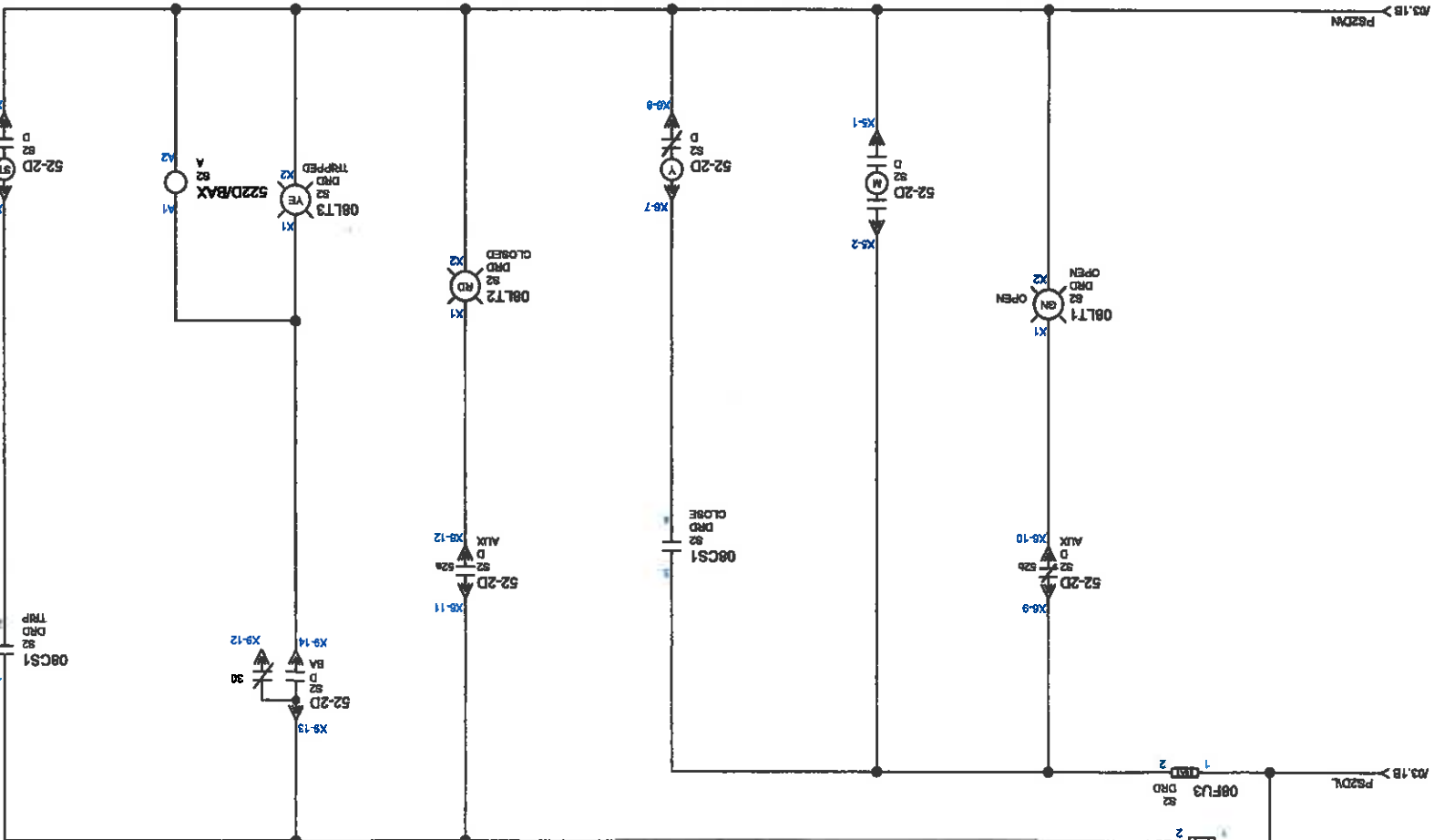
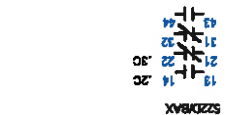
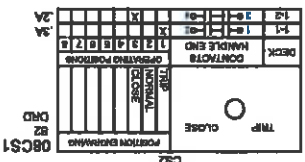
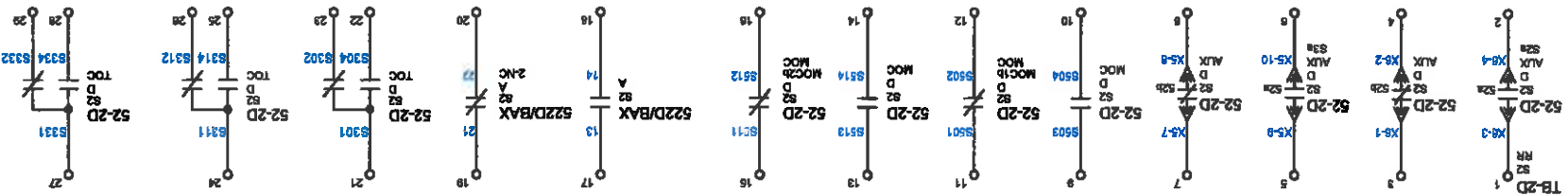
BREAKERS, RELAYS AND AUXILIARY SWITCHES ARE SHOWN IN DE-ENERGIZED POSITION.

DIAGRAM DOES NOT LOCATE POSITION OF PARTS.

CUSTOMER'S CONNECTIONS ARE SHOWN DASHED.

THE STANDARD SECONDARY WIRE IS #14 94S UNLESS OTHERWISE STATED.

BREAKERS, RELAYS AND AUXILIARY SWITCHES ARE SHOWN IN DE-ENERGIZED POSITION.
DIAGRAM DOES NOT LOCATE POSITION OF PARTS.
CUSTOMER'S CONNECTIONS ARE SHOWN DASHED.
UNLESS OTHERWISE STATED.
THE STANDARD SECONDARY WIRE IS #14 SIS



52-2D FEEDER BREAKER CONTROL SCHEMATIC

WARNING: TO ENSURE AGAINST ELECTRIC SHOCK OR ACCIDENT DANGER, DISCONNECT ALL SOURCES OF SUPPLY BEFORE SERVICING

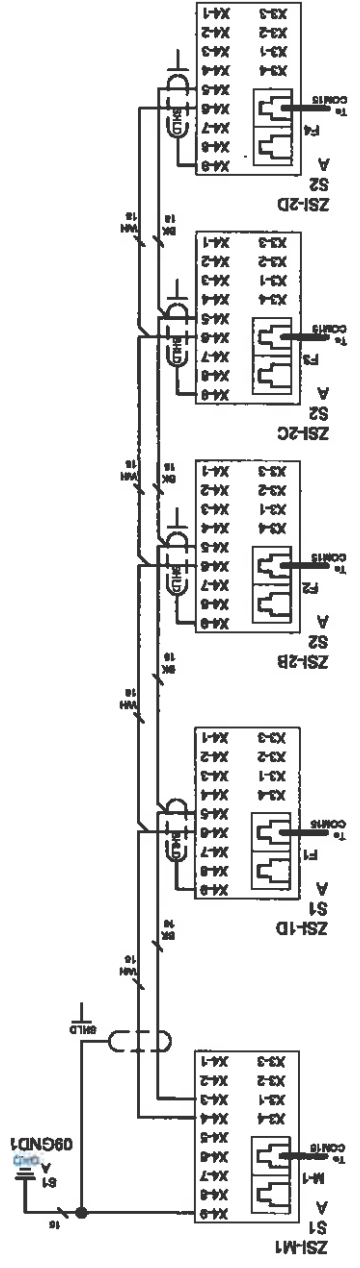
<p>SIEMENS S.O. #: 300507642 LINE ITEM: 23000 CUSTOMER: JH-Hem Engineering, FL. GROUP: SAC001 CUSTOMER PROJECT: JH-Hem - Port Neal Projed CUSTOMER ORDER: 15228</p>		<p>PRELIMINARY APPROVAL: CERTIFIED: X</p>		<p>PRODUCT TYPE: V4L SCALE: 1 mm. : 1 mm. DRAWN: DVP APPRV:</p>		<p>DOCUMENT NAME: SCHEMATIC DIAGRAM BREAKER CONTROL CIRCUIT- SECTION #2 SWITCHGEAR '08CS1'</p>	
<p>RELEASED FOR MANUFACTURING: 01/19/2014 DVP</p>		<p>ISSUED FOR APPROVALS: 01/19/2014 DVP</p>		<p>DOC. NO.: LVS 15-300507642 - 23000 - SC 08</p>		<p>SIEMENS Siemens Industry Inc. Grand Prairie, TX 75050</p>	

A B C D

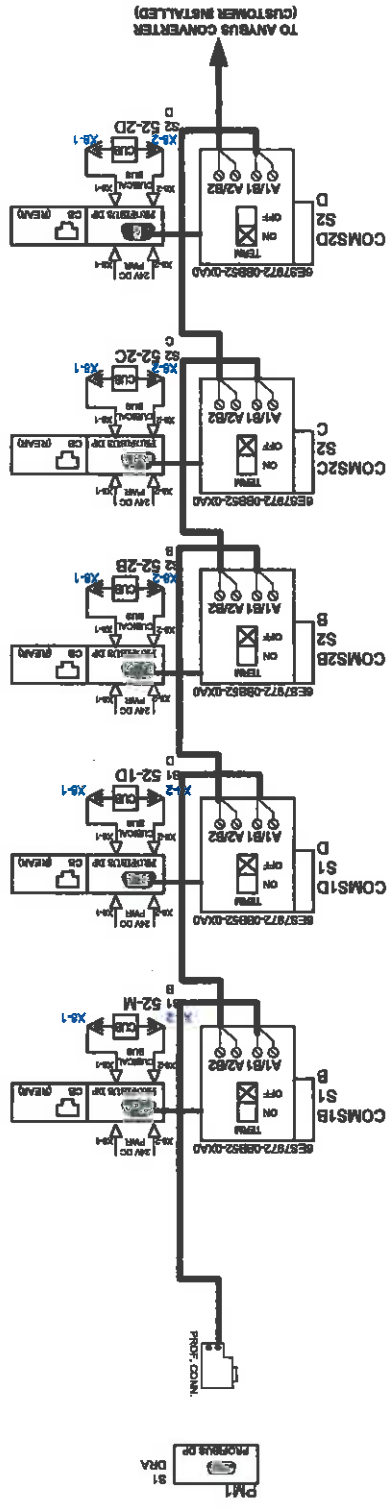
1 2 3 4

1 2 3 4

BREAKERS, RELAYS AND AUXILIARY
 SWITCHES ARE SHOWN IN DE-ENERGIZED
 POSITION.
 DIAGRAM DOES NOT LOCATE POSITION OF
 PARTS.
 CUSTOMER'S CONNECTIONS ARE SHOWN
 DASHED.
 THE STANDARD SECONDARY WIRES #14 SIS
 UNLESS OTHERWISE STATED.



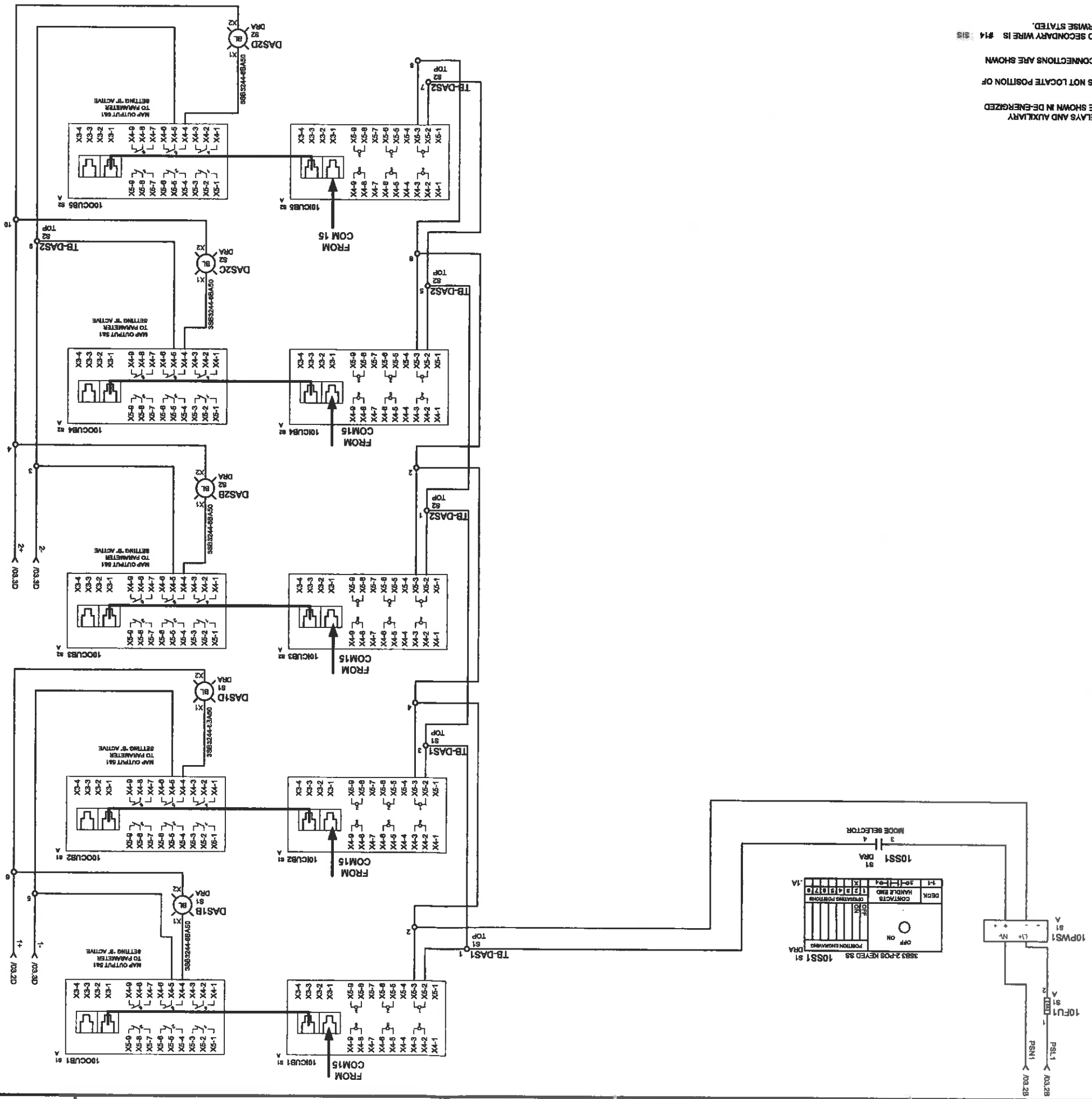
ZONE SELECTIVE INTERLOCKING FOR MAIN FEEDER BREAKERS



PROFIBUS COMMUNICATION

SIEMENS S.O. # 300507942 LINE ITEM: 23000 CUSTOMER: JH-Ham Engineering, FL. GROUP: 84CC01 CUSTOMER PROJECT: JH-Ham - Port Neal Project CUSTOMER ORDER: 15228		PRELIMINARY: X APPROVAL: CERTIFIED: X SCALE: 1 mm : 1 mm DRAWN: DVP APPRV:		PRODUCT TYPE: VL DOCUMENT NAME: SCHEMATIC DIAGRAM ZSI/PROFIBUS COMMUNICATION CIRCUIT SWITCHGEAR '94CC01' DOC. NO.: LVS 15-300507942 - SC 09	
WARNING: TO ENSURE AGAINST ELECTRIC SHOCK OR ACCIDENT DANGER DISCONNECT ALL SOURCES OF SUPPLY BEFORE SERVICING					
RELEASED FOR MANUFACTURING: 01/27/2014 DVP					

BREAKERS, RELAYS AND AUXILIARY SWITCHES ARE SHOWN IN DE-ENERGIZED POSITION.
DIAGRAM DOES NOT LOCATE POSITION OF PARTS.
CUSTOMER'S CONNECTIONS ARE SHOWN DASHED.
THE STANDARD SECONDARY WIRE IS #14 UNLESS OTHERWISE STATED.



WARNING: TO ENSURE AGAINST ELECTRIC SHOCK OR ACCIDENT DANGER DISCONNECT ALL SOURCES OF SUPPLY BEFORE SERVICING

<p>SIEMENS S.O. #: 3000087642 LINE ITEM: 23000</p> <p>CUSTOMER: JH Ham Engineering, FL GROUP: 64CC81 CUSTOMER PROJECT: JH-Ham - Fort Neal Project CUSTOMER ORDER: 18228</p>	<p>PRELIMINARY: X APPROVAL: CERTIFIED</p>	<p>PRODUCT TYPE: WL SCALE: 1 mm : 1 mm DRAWN: DVP APPRV:</p>	<p>DOCUMENT NAME: DAS-DYNAMIC ARC SENSITRY SWITCHGEAR (SACS)1</p>
<p>12/19/2014 DVP RELEASED FOR MANUFACTURING</p>	<p>12/19/2014 DVP ISSUED FOR APPROVAL</p>	<p>12/19/2014 DVP DRAWN</p>	<p>12/19/2014 DVP APPRV</p>

DOC. NO.: LVS 15-3000087642 - 23000 - SC 10

100FWS1 100FWS2 100CUB1 100CUB2 100CUB3 100CUB4 100CUB5 100CUB6 100CUB7 100CUB8 100CUB9 100CUB10 100CUB11 100CUB12 100CUB13 100CUB14 100CUB15 100CUB16 100CUB17 100CUB18 100CUB19 100CUB20 100CUB21 100CUB22 100CUB23 100CUB24 100CUB25 100CUB26 100CUB27 100CUB28 100CUB29 100CUB30 100CUB31 100CUB32 100CUB33 100CUB34 100CUB35 100CUB36 100CUB37 100CUB38 100CUB39 100CUB40 100CUB41 100CUB42 100CUB43 100CUB44 100CUB45 100CUB46 100CUB47 100CUB48 100CUB49 100CUB50 100CUB51 100CUB52 100CUB53 100CUB54 100CUB55 100CUB56 100CUB57 100CUB58 100CUB59 100CUB60 100CUB61 100CUB62 100CUB63 100CUB64 100CUB65 100CUB66 100CUB67 100CUB68 100CUB69 100CUB70 100CUB71 100CUB72 100CUB73 100CUB74 100CUB75 100CUB76 100CUB77 100CUB78 100CUB79 100CUB80 100CUB81 100CUB82 100CUB83 100CUB84 100CUB85 100CUB86 100CUB87 100CUB88 100CUB89 100CUB90 100CUB91 100CUB92 100CUB93 100CUB94 100CUB95 100CUB96 100CUB97 100CUB98 100CUB99 100CUB100